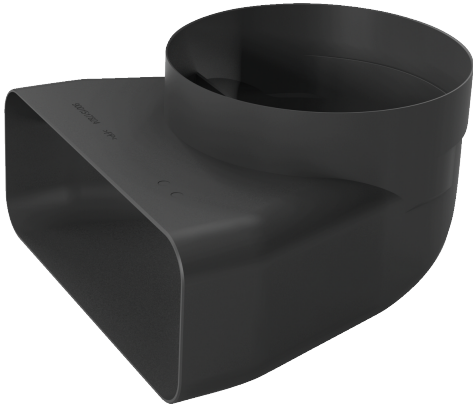


ADAPTER DUCT, 150 MM, 90 °, ROUND-FLAT  
Z861S11



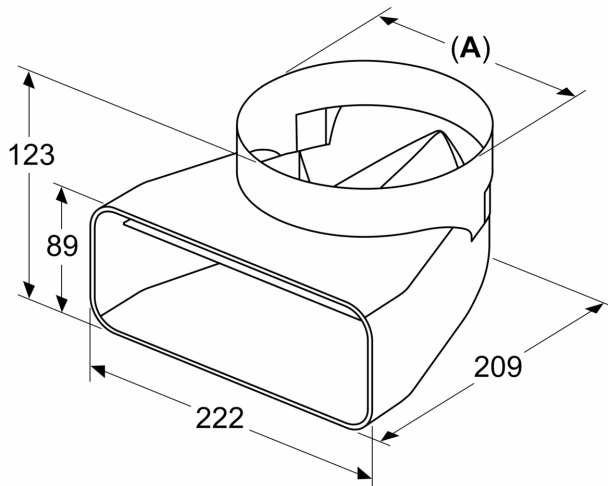
- ✓ Flat to round converter with integrated 90° bend for appliances with vertical round air outlet (e.g. Glassdraft)
- ✓ 90° round-flat adapter element (male)
- ✓ Aerodynamically optimised design to minimise pressure loss and maximise air flow rate. Easy-to-cut & easy-to-connect via the female connector sleeve element.
- ✓ The element complies with the Needle Flame Test (according to IEC 60695-11-5) & the V2 flammability class (according to UL94).

Dimensions of the packed product (HxWxD): . 190 x 235 x 220 mm  
 Pallet dimensions: ..... 205.0 x 80.0 x 120.0  
 Quantity per packing unit: .....8  
 Standard number of units per pallet: ..... 160  
 Net weight: ..... 0.3 kg  
 Gross weight: .....0.5 kg  
 EAN code: .....4242004254119



ADAPTER DUCT, 150 MM, 90 °, ROUND-FLAT  
Z861S11

measurements in mm



A:  $\varnothing$  152.5