

N 90, BUILT-IN OVEN WITH ADDED STEAM
FUNCTION, 60 X 60 CM, STAINLESS STEEL
B47VS34H0B



A



Included accessories

1 x combination grid, 1 x universal pan

Optional accessories

Z11AB15A0 Baking tray, non-stick ceramic coated, Z11AU15A0 Universal pan, non-stick ceramic coated, Z11CG10X0 Barbecue-Set, Z11CR10X0 Baking and roasting grid (standard), Z11GT10X3 Glass roasting dish, 5,4l, Z11GU20X0 Glasspan, Z11SZ00X0 SeamlessCombination mounting kit, Z11SZ80X0 SeamlessCombination 60 + 29cm, Z11SZ90X0 SeamlessCombination 60 + 45cm, Z11TC10X0 ComfortFlex Rail (1 level), Z11TF36X0 3 level telescopic rails, full ext, Z12CB10A0 Baking tray, enamelled, Z12CL10A0 Lid for professional pan, enamelled, Z12CM10A0 Moussaka pan, enamelled, Z12CN10A0 Professional pan, enamelled, Z12CP10A0 Pizza pan, enamelled, Z12CQ10A0 Grill tray, enamelled, Z12CU10A0 Multipurpose pan, enamelled, Z13CR10X0 Baking and roasting grid (steam), Z1913X0 Baking Stone, Z19DD10X0 Steam set for ovens

Built-in oven with VarioSteam® and SLIDE&HIDE® - fuller flavour and unrestricted access to the oven interior

- ✓ Slide&Hide® – The fully disappearing oven door with rotating handle.
- ✓ CircoTherm® – Smart hot-air solution that lets you bake on up to four levels.
- ✓ Vario Steam – Cooks food moist on the inside and crisp on the outside.
- ✓ Eco Clean with Base Clean - the duo that makes oven cleaning easier
- ✓ Shift Control - fast navigation through menus and simple operation with the TFT display.

Features

Technical Data

Built-in / Free-standing: Built-in
 Integrated Cleaning system: EcoClean programme
 Min. required niche size for installation (HxWxD): 585-595 x 560-568 x 550 mm
 Dimensions: 595 x 596 x 548 mm
 Dimensions of the packed product (HxWxD): . 660 x 660 x 690 mm
 Control Panel Material: Glass
 Door Material: Glass
 Net weight: 40.7 kg
 Usable volume (of cavity) - cavity 1: 71 l
 Cooking method: Reheat with steam, CircoTherm®, Defrost, Bread Baking Setting, Full width grill, Hot Air-Eco, Half width grill, Conventional heat, Conventional heat ECO, Pizza setting, low temperature cooking, Bottom heat, Hot air grilling, warming
 Oven control: electronic
 Number of interior lights: 1
 Length electrical supply cord: 120.0 cm
 EAN code: 4242004236054
 Number of cavities (2010/30/EC): 1
 Energy efficiency rating: A
 Energy consumption per cycle conventional (2010/30/EC): 0.90 kWh/cycle
 Energy consumption per cycle forced air convection (2010/30/EC): 0.74 kWh/cycle
 Energy efficiency index (2010/30/EC): 87.1 %
 Connection Rating: 3450 W
 Fuse protection: 16 A
 Voltage: 220-240 V
 Frequency: 50; 60 Hz
 Plug type: no plug (electrical connection by electrician)
 Included accessories: 1 x combination grid, 1 x universal pan



*N 90, BUILT-IN OVEN WITH ADDED STEAM
FUNCTION, 60 X 60 CM, STAINLESS STEEL
B47VS34H0B*

Features

Design

- 4.1" TFT colour and graphics display with ShiftControl
- Cavity inner surface: enamel anthracite
- Illuminated Shift Control
- Slide&Hide® with rotating handle
- We recommend you to choose complementary products within N90, in order to assure an optimal design combination of your Built-In appliances.

Features

- HomeConnect ready on WLAN
- Control panel lock
- Automatic safety switch off Residual heat indicator Start button Door contact switch
- Temperature proposal
- Actual temperature display Heating up indicator automatic programmes:
- Baking and roasting assistant, Automatic programmes
- LED light, On/off button
- Water tank empty indicator
- Electronic clock timer
- 4 shelf positions

Cleaning

- EcoCleanDirect : ceiling, back panel, side liners
- EcoClean programme, Base Clean programme
- Full glass inner door

Programmes/functions

- Additional heating methods with steam: Reheat with steam, Dough proving
- Additional functions:
- De-scaling programme
- Drying function steam cooking function
- Number of automatic programmes: 14 PC
- Rapid heat
- Cooling fan

Accessories

- 1-level flexible telescopic rail, full extension, Stop function
- 1 x combination grid, 1 x universal pan

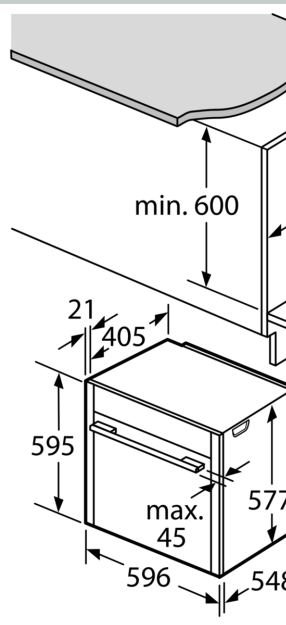
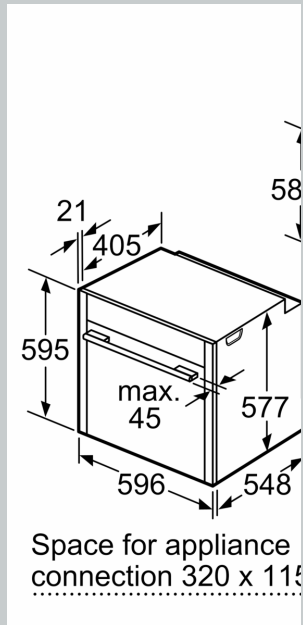
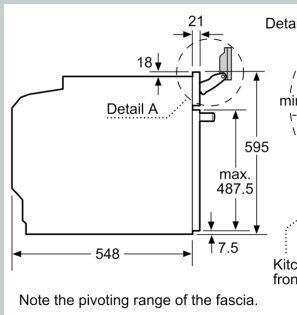
Performance/technical information

- Energy efficiency rating (acc. EU Nr. 65/2014): A
- Energy consumption per cycle in conventional mode:0.9 kWh
- Energy consumption per cycle in fan-forced convection mode:0.74 kWh
- Number of cavities: Main cavity Heat source: electrical Cavity volume:71 litre
- 1 l Water tank capacity
- Location of water tank: Outside cavity
- Total connected load electric: 3.45 KW
- 120 cm Cable length
- Nominal voltage: 220 - 240 V
- Appliance dimension (hxwxh): 595 mm x 596 mm x 548 mm
- Niche dimension (hxwxh): 585 mm - 595 mm x 560 mm - 568 mm x 550 mm

- Please refer to the dimensions provided in the installation manual

*N 90, BUILT-IN OVEN WITH ADDED STEAM
FUNCTION, 60 X 60 CM, STAINLESS STEEL
B47VS34H0B*

Dimensioned drawings



If the appliance will be used as a hob, the following dimensions must be taken into account (including substructure).

Hob type	min. height
Induction hob	300
Full surface Induction hob	400
Gas hob	300
Electric hob	200