

N 90, BUILT-IN OVEN WITH STEAM FUNCTION, 60 X 60 CM, STAINLESS STEEL
B48FT78H0B



A+



Included accessories

1 x grid, 1 x universal pan, punched, size XL, 1 x steam container, unpunched, size S

Optional accessories

Z13TF36X0 3 level telescopic rails, full ext, steam, Z11AB15A0 Baking tray, non-stick ceramic coated, Z11AU15A0 Universal pan, non-stick ceramic coated, Z11CG10X0 Barbecue-Set, Z11GT10X3 Glass roasting dish, 5,4l, Z11GU20X0 Glasspan, Z11SZ00X0 SeamlessCombination mounting kit, Z11SZ80X0 SeamlessCombination 60 + 29cm, Z11SZ90X0 SeamlessCombination 60 + 45cm, Z12CB10A0 Baking tray, enamelled, Z12CL10A0 Lid for professional pan, enamelled, Z12CM10A0 Moussaka pan, enamelled, Z12CN10A0 Professional pan, enamelled, Z12CP10A0 Pizza pan, enamelled, Z12CQ10A0 Grill tray, enamelled, Z12CU10A0 Multipurpose pan, enamelled, Z13CR10X0 Baking and roasting grid (steam), Z13CU30X0 Steam container, unpunched, size S, Z13CU31X0 Steam container, punched, size S, Z13CV05S0 Cover Strip, Z13CX62X0 Vacuum bags 180 x 280 mm, 100 pcs., Z13CX64X0 Vacuum bags 240 x 350 mm, 100 pcs., Z13TC10X0 ComfortFlex Rail (1 level) f. steam

Built-in oven with FullSteam and SLIDE&HIDE® - combining all heating types and steam cooking in a single oven with unrestricted access

- ✓ Slide&Hide® – The fully disappearing oven door with rotating handle.
- ✓ CircoTherm® – Smart hot-air solution that lets you bake on up to four levels.
- ✓ Sous-vide - prepare vacuum-sealed dishes with FullSteam for a new horizon of flavour.
- ✓ NEFFLight® - illumination of all four oven levels, even with the door shut
- ✓ Eco Clean with Base Clean - the duo that makes oven cleaning easier

Features

Technical Data

Built-in / Free-standing: Built-in
 Door opening: Drop down
 Min. required niche size for installation (HxWxD): 585-595 x 560-568 x 550 mm
 Dimensions: 595 x 596 x 548 mm
 Dimensions of the packed product (HxWxD): . 670 x 660 x 690 mm
 Control Panel Material: Glass
 Door Material: Glass
 Net weight: 42.9 kg
 Length electrical supply cord: 120.0 cm
 EAN code: 4242004236061
 Fuse protection: 16 A
 Voltage: 220-240 V
 Frequency: 50; 60 Hz
 Plug type: no plug (electrical connection by electrician)
 Number of cavities (2010/30/EC): 1
 Usable volume (of cavity) - NEW (2010/30/EC): 71 l
 Energy efficiency rating: A+
 Energy consumption per cycle conventional (2010/30/EC): 0.87 kWh/cycle
 Energy consumption per cycle forced air convection (2010/30/EC): 0.69 kWh/cycle
 Energy efficiency index (2010/30/EC): 81.2 %
 Included accessories: 1 x grid, 1 x universal pan, 1 x steam container, punched, size S, 1 x steam container, punched, size XL, 1 x steam container, unpunched, size S



N 90, BUILT-IN OVEN WITH STEAM FUNCTION, 60
X 60 CM, STAINLESS STEEL
B48FT78H0B

Features

Design

- 5.7" TFT colour and graphics display with FullTouch control
- Cavity inner surface: enamel anthracite
- Slide&Hide® with rotating handle

Features

- HomeConnect ready on WLAN
- Control panel lock
- Automatic safety switch off Residual heat indicator Start button Door contact switch
- Temperature proposal
- Actual temperature display Heating up indicator automatic programmes: meat probe
- MultiPoint MeatProbe
- Baking and roasting assistant, Automatic programmes
- NeffLight (2 x 20 Watt halogen lamps), LED light, On/off button
- Water tank empty indicator

Cleaning

- EcoCleanDirect : ceiling, back panel, side liners
- EcoClean programme, Base Clean programme

Programmes/functions

- Combi-steam oven with 13 main functions heating methods: CircoTherm®, CircoTherm® Gentle, Top/bottom heat, Conventional heat Gentle, Circo-roasting, Full surface grill, Centre surface grill, CircoTherm® intensive, Bread baking, Bottom heat, Low temperature cooking, Plate warming setting, Keep warm
- Additional heating methods with steam: Steaming, Reheat with steam, Dough proving, Defrost
- Additional functions:
- De-scaling programme
- Drying function Automatic boiling point detection
- Number of automatic programmes: 30 PC
- Rapid heat
- Cooling fan

Accessories

- 1-level flexible telescopic rail, full extension, Stop function
- 1 x steam container, punched, size S, 1 x steam container, punched, size XL, 1 x steam container, unpunched, size S, 1 x grid, 1 x universal pan

Performance/technical information

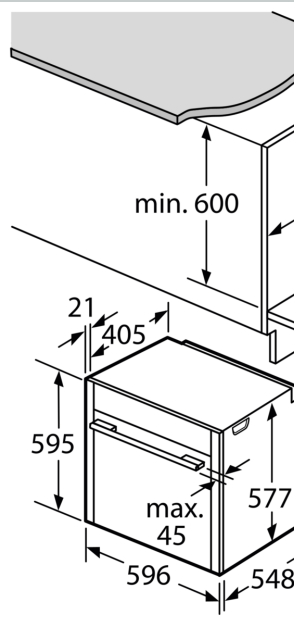
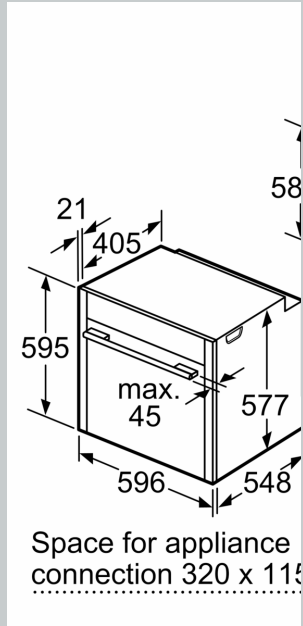
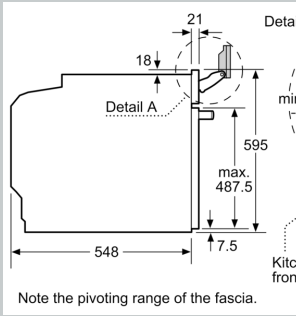
- Energy efficiency rating (acc. EU Nr. 65/2014): A+
- Energy consumption per cycle in conventional mode: 0.87 kWh
- Energy consumption per cycle in fan-forced convection mode: 0.69 kWh
- Number of cavities: Main cavity Heat source: electrical Cavity volume: 71 litre
- 1 l Water tank capacity
- Location of water tank: Outside cavity
- Total connected load electric: 3.45 KW
- Temperature range 40 °C - 250 °C
- 120 cm Cable length
- Nominal voltage: 220 - 240 V
- Appliance dimension (hwxwd): 595 mm x 596 mm x 548 mm
- Niche dimension (hwxwd): 585 mm - 595 mm x 560 mm - 568 mm x

550 mm

- Please refer to the dimensions provided in the installation manual

N 90, BUILT-IN OVEN WITH STEAM FUNCTION, 60 X 60 CM, STAINLESS STEEL
B48FT78HOB

Dimensioned drawings



If the appliance will be used as a hob, the following minimum clearances (including substructure) must be taken into account:

Hob type	Minimum clearance (mm)
Induction hob	300
Full surface Induction hob	400
Gas hob	300
Electric hob	200