

N 50, built-in oven, 60 x 60 cm, Stainless steel
B4ACF1ANOB



COOKING PASSION SINCE 1877



A



Built-in oven with Slide&Hide® - unrestricted access to the oven interior

- ✓ Slide&Hide® – The fully disappearing oven door with rotating handle.
- ✓ CircoTherm® – Smart hot-air solution that lets you bake on up to three levels at once.
- ✓ LCD-Display – simple, straightforward with large characters for clear reading

Features

Technical Data

Color / Material Front : Stainless steel
 Built-in / Free-standing : Built-in
 Integrated Cleaning system : Catalytic partial
 Required niche size for installation (HxWxD) : 585-595 x 560-568 x 550 mm
 Dimensions : 595 x 594 x 548 mm
 Dimensions of the packed product (HxWxD) : 670 x 690 x 660 mm
 Control Panel Material : Glass
 Door Material : Glass
 Net weight : 34.374 kg
 Usable volume (of cavity) - cavity 1 : 71 l
 Cooking method : Conventional heat, Full width grill, Hot Air, Hotair gentle, Hot air grilling, Pizza setting
 First cavity material : Other
 Oven control : mechanical
 Number of interior lights : 1
 Approval certificates : CE, VDE
 Length electrical supply cord : 120 cm
 EAN code : 4242004225218
 Number of cavities (2010/30/EC) : 1
 Energy efficiency rating : A
 Energy consumption per cycle conventional (2010/30/EC) : 1.04 kWh/cycle
 Energy consumption per cycle forced air convection (2010/30/EC) : 0.81 kWh/cycle
 Energy efficiency index (2010/30/EC) : 95.3 %
 Connection Rating : 2990 W
 Fuse protection : 13 A
 Voltage : 220-240 V
 Frequency : 60; 50 Hz
 Plug type : no plug

Optional accessories

Z11AB15A0 Baking tray, non-stick ceramic coated
 Z11CB10E0 Baking tray, grey enamelled
 Z11CR10X0 Baking and roasting grid (standard)
 Z11TF36X0 3 level telescopic rails, full ext
 Z11TI15X0 Cliprails
 Z12CQ10A0 Grill tray, anthracite enamelled
 Z1913X0 Baking Stone



4 242004 225218

N 50, built-in oven, 60 x 60 cm, Stainless steel
B4ACF1ANOB



COOKING PASSION SINCE 1877

Features

Design

- LCD Display (white)
- Bevelled oval controls, Retractable controls dials, oval
- Slide&Hide® with rotating handle
- Cavity inner surface: enamel grey
- 4 shelf positions

Features

- Control panel lock
- Heating up indicator
Automatic start
- Interior halogen light

Cleaning

- EcoCleanDirect : back panel
- Full glass inner door

Programmes/functions

- Oven with Multifunction oven with 6 cooking functions: heating methods: CircoTherm®, Top/bottom heat, Circo-roasting, Full surface grill, CircoTherm® intensive, CircoTherm® gentle
- Cooling fan

Accessories

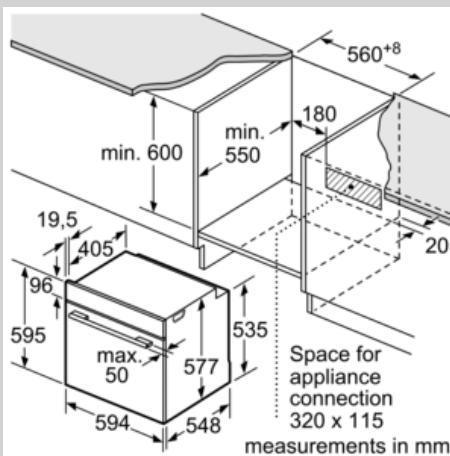
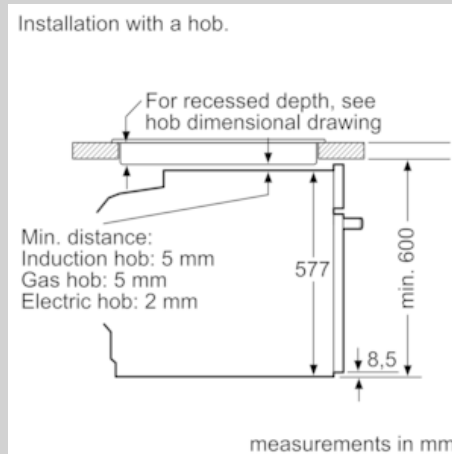
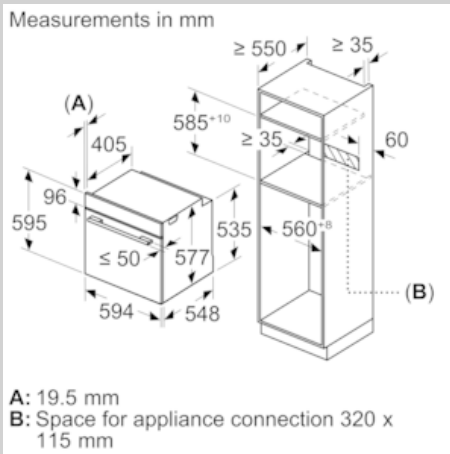
- 1 x universal pan, 2 x combination grid

Performance/technical information

- Energy efficiency rating (acc. EU Nr. 65/2014): A
Energy consumption per cycle in conventional mode: 1.04 kWh
Energy consumption per cycle in fan-forced convection mode: 0.81 kWh
Number of cavities: Main cavity
Heat source: electrical
Cavity volume: 71 litre
- Total connected load electric: 2.99 KW
- 120 cm Cable length
- Nominal voltage: 220 - 240 V
- Appliance dimension (hxwxh): 595 mm x 594 mm x 548 mm
- Niche dimension (hxwxh): 585 mm - 595 mm x 560 mm - 568 mm x 550 mm
- Please refer to the dimensions provided in the installation manual

N 50, built-in oven, 60 x 60 cm, Stainless steel
B4ACF1AN0B

Dimensioned drawings



If the appliance will be installed underneath a hob, the following worktop thicknesses (including substructure if necessary) must be taken into account.

Hob type	min. worktop thickness	
	fitted	flush
Induction hob	37 mm	38 mm
Full surface Induction hob	47 mm	48 mm
Gas hob	30 mm	38 mm
Electric hob	27 mm	30 mm

