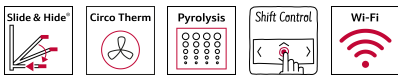


N 90, BUILT-IN OVEN, 60 X 60 CM, STAINLESS STEEL
B57CS24H0B



A



Built-in oven with Slide&Hide® - unrestricted access to the oven interior

- ✓ Slide&Hide® – The fully disappearing oven door with rotating handle.
- ✓ CircoTherm® – Smart hot-air solution that lets you bake on up to four levels.
- ✓ Dual cleaning options: Pyrolytic cleaning programmes - just let the oven interior clean itself. EasyClean - the quick and easy option for day to day maintenance.
- ✓ Shift Control - fast navigation through menus and simple operation with the TFT display.
- ✓ Home Connect – Unleash your creativity via app.

Features

Technical Data

Built-in / Free-standing: Built-in
 Integrated Cleaning system: Pyrolytic+Hydrolytic
 Min. required niche size for installation (HxWxD): 585-595 x 560-568 x 550 mm
 Dimensions: 595 x 596 x 548 mm
 Dimensions of the packed product (HxWxD): . 660 x 660 x 690 mm
 Control Panel Material: Glass
 Door Material: Glass
 Net weight: 41.4 kg
 Usable volume (of cavity) - cavity 1: 71 l
 Cooking method: CircoTherm®, Defrost, Bread Baking Setting, Full width grill, Dough proving setting, Hot Air-Eco, Half width grill, Conventional heat, Conventional heat ECO, Pizza setting, low temperature cooking, Bottom heat, Hot air grilling
 Oven control: electronic
 Number of interior lights: 1
 Length electrical supply cord: 120.0 cm
 EAN code: 4242004236672
 Number of cavities (2010/30/EC): 1
 Energy efficiency rating: A
 Energy consumption per cycle conventional (2010/30/EC): 0.90 kWh/cycle
 Energy consumption per cycle forced air convection (2010/30/EC): 0.74 kWh/cycle
 Energy efficiency index (2010/30/EC): 87.1 %
 Connection Rating: 3450 W
 Fuse protection: 16 A
 Voltage: 220-240 V
 Frequency: 50; 60 Hz
 Plug type: no plug (electrical connection by electrician)
 Included accessories: 1 x combination grid, 1 x universal pan

Included accessories

1 x combination grid, 1 x universal pan

Optional accessories

Z11AB15A0 Baking tray, non-stick ceramic coated, Z11AU15A0 Universal pan, non-stick ceramic coated, Z11CG10X0 Barbecue-Set, Z11CR10X0 Baking and roasting grid (standard), Z11GT10X3 Glass roasting dish, 5,4l, Z11GU20X0 Glasspan, Z11SZ00X0 SeamlessCombination mounting kit, Z11SZ80X0 SeamlessCombination 60 + 29cm, Z11SZ90X0 SeamlessCombination 60 + 45cm, Z11TC10X0 ComfortFlex Rail (1 level), Z12CB10A0 Baking tray, enamelled, Z12CL10A0 Lid for professional pan, enamelled, Z12CM10A0 Moussaka pan, enamelled, Z12CN10A0 Professional pan, enamelled, Z12CP10A0 Pizza pan, enamelled, Z12CQ10A0 Grill tray, enamelled, Z12CU10A0 Multipurpose pan, enamelled, Z12TF36X0 3 level telescopic rails, full ext.pyro, Z13CR10X0 Baking and roasting grid (steam), Z13CV05S0 Cover Strip, Z1913X0 Baking Stone, Z19DD10X0 Steam set for ovens



N 90, BUILT-IN OVEN, 60 X 60 CM, STAINLESS
STEEL
B57CS24H0B

Features

Design

- 4.1" TFT colour and graphics display with ShiftControl
- Cavity inner surface: enamel anthracite
- Illuminated Shift Control
- We recommend you to choose complementary products within N90, in order to assure an optimal design combination of your Built-In appliances.

Features

- HomeConnect ready on WLAN
- Door lock during pyrolytic cleaning
- Control panel lock Automatic safety switch off Residual heat indicator Start button Door contact switch
- Temperature proposal
- Actual temperature display Heating up indicator
- Baking and roasting assistant
- Interior halogen light, On/off button
- Electronic clock timer
- 4 shelf positions

Cleaning

- Pyrolytic cleaning
- EasyClean
- Full glass inner door

Programmes/functions

- Oven with 13 main functions heating methods: CircoTherm®, CircoTherm® Gentle, Top/bottom heat, Conventional heat Gentle, Circo-roasting, Full surface grill, Centre surface grill, CircoTherm® intensive, Bread baking, Bottom heat, Low temperature cooking, Defrost, Dough proving
- Rapid heat
- Cooling fan

Accessories

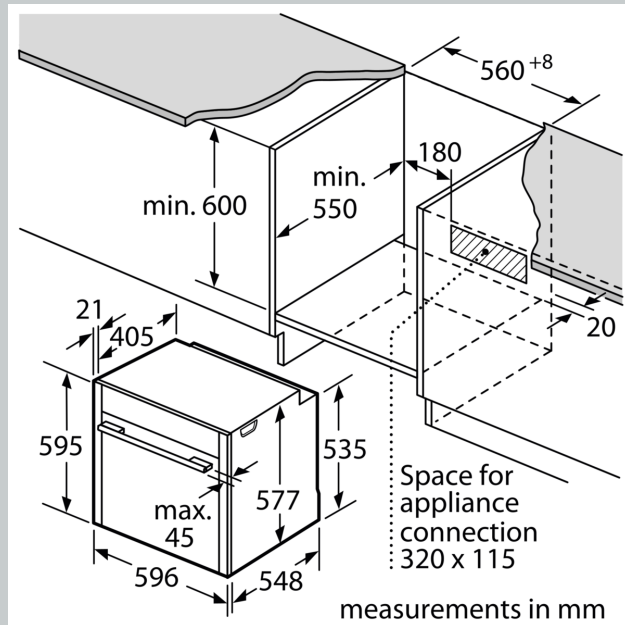
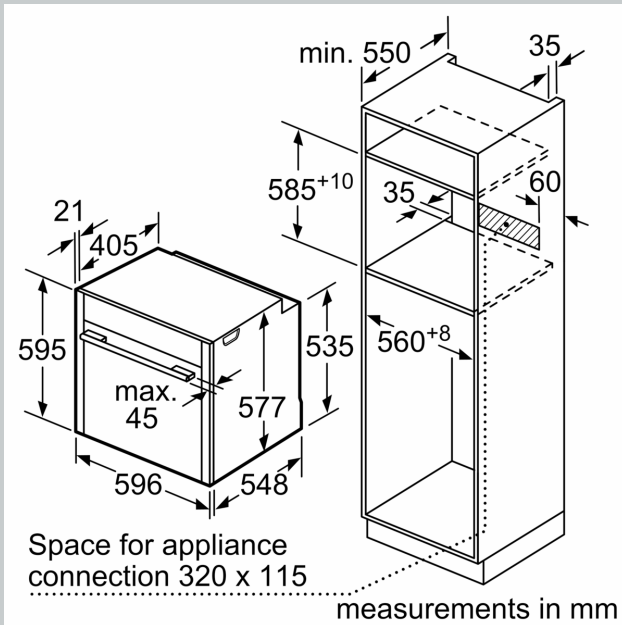
- 1-level flexible telescopic rail, full extension, Stop function
- 1 x combination grid, 1 x universal pan

Performance/technical information

- Energy efficiency rating (acc. EU Nr. 65/2014): A
- Energy consumption per cycle in conventional mode: 0.9 kWh
- Energy consumption per cycle in fan-forced convection mode: 0.74 kWh
- Number of cavities: Main cavity Heat source: electrical Cavity volume: 71 litre
- Total connected load electric: 3.45 KW
- 120 cm Cable length
- Nominal voltage: 220 - 240 V
- Appliance dimension (h x w x d): 595 mm x 596 mm x 548 mm
- Niche dimension (h x w x d): 585 mm - 595 mm x 560 mm - 568 mm x 550 mm
- Please refer to the dimensions provided in the installation manual

N 90, BUILT-IN OVEN, 60 X 60 CM, STAINLESS
STEEL
B57CS24H0B

Dimensioned drawings



If the appliance will be installed underneath a hob, the following worktop thicknesses (including substructure if necessary) must be taken into account.

Hob type	min. worktop thickness	
	fitted	flush
Induction hob	37 mm	38 mm
Full surface Induction hob	47 mm	48 mm
Gas hob	30 mm	38 mm
Electric hob	27 mm	30 mm