

N 50, built-in oven, 60 x 60 cm, Stainless steel
B5ACH7AH0B



COOKING PASSION SINCE 1877



Built-in oven with Slide&Hide® - unrestricted access to the oven interior

- ✓ Slide&Hide® – The fully disappearing oven door with rotating handle.
- ✓ CircoTherm® – Smart hot-air solution that lets you bake on up to three levels at once.
- ✓ Dual cleaning options: Pyrolytic cleaning programmes - just let the oven interior clean itself. EasyClean - the quick and easy option for day to day maintenance.
- ✓ LCD-Display – simple, straightforward with large characters for clear reading
- ✓ Home Connect – Unleash your creativity via app.

Features

Technical Data

Color / Material Front : Stainless steel
 Built-in / Free-standing : Built-in
 Integrated Cleaning system : Pyrolytic+Hydrolytic
 Min. required niche size for installation (HxWxD) : 585-595 x 560-568 x 550 mm
 Dimensions : 595 x 594 x 548 mm
 Dimensions of the packed product (HxWxD) : 660 x 690 x 660 mm
 Control Panel Material : Glass
 Door Material : Glass
 Net weight : 38.8 kg
 Usable volume (of cavity) - cavity 1 : 71 l
 Cooking method : Bottom heat, Bread Baking Setting, Conventional heat, Full width grill, Hot Air, Hotair gentle, Hot air grilling, Pizza setting
 First cavity material : Other
 Oven control : electronic
 Number of interior lights : 1
 Length electrical supply cord : 120 cm
 EAN code : 4242004245506
 Number of cavities (2010/30/EC) : 1
 Energy efficiency rating : A
 Energy consumption per cycle conventional (2010/30/EC) : 1.04 kWh/cycle
 Energy consumption per cycle forced air convection (2010/30/EC) : 0.81 kWh/cycle
 Energy efficiency index (2010/30/EC) : 95.3 %
 Connection Rating : 2990 W
 Fuse protection : 13 A
 Voltage : 220-240 V
 Frequency : 50; 60 Hz
 Plug type : no plug (electrical connection by electrician)
 Included accessories : 2 x combination grid, 1 x universal pan

Optional accessories

Z11AB15A0	Baking tray, non-stick ceramic coated
Z11CB10E0	Baking tray, grey enamelled
Z11CR10X0	Baking and roasting grid (standard)
Z11TF36X0	3 level telescopic rails, full ext
Z11TI15X0	Cliprails



N 50, built-in oven, 60 x 60 cm, Stainless steel
B5ACH7AH0B

Features

Design

- LCD-Display Control (white)
- Bevelled oval controls, Retractable controls dials, oval
- Slide&Hide® with rotating handle
- 4 shelf positions
- Cavity inner surface: enamel grey

Features

- HomeConnect ready on WLAN
- Door lock during pyrolytic cleaning
Control panel lock Automatic safety switch off Residual heat indicator Door contact switch
- Temperature proposal
Actual temperature display Heating up indicator Automatic start
- Interior halogen light, On/off button

Cleaning

- Pyrolytic cleaning
- EasyClean
- Full glass inner door

Programmes/functions

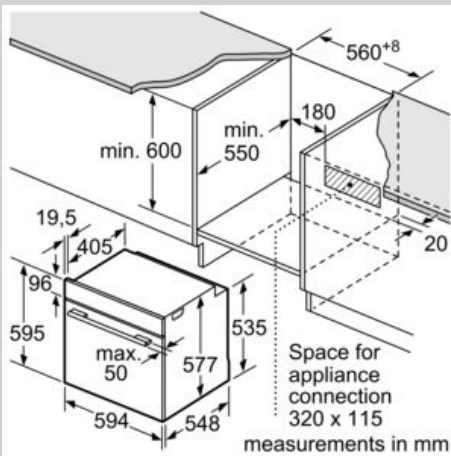
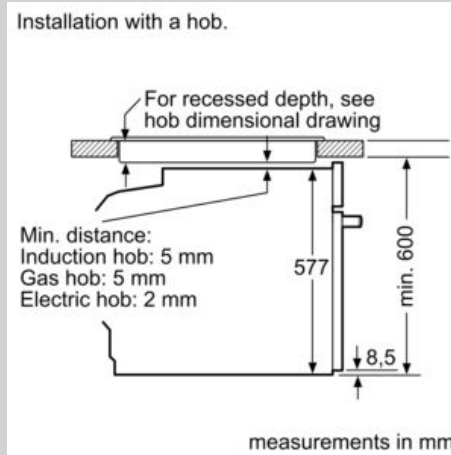
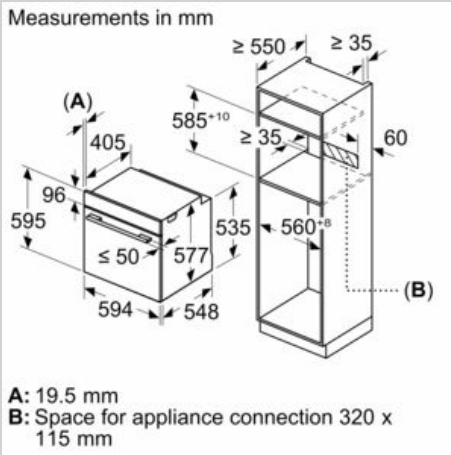
- Oven with 8 cooking functions:, 8 cooking functions: heating methods: CircoTherm®, Top/bottom heat, Circo-roasting, Full surface grill, CircoTherm® intensive, Bread baking, Bottom heat, CircoTherm® gentle
- Rapid heat
- Cooling fan

Performance/technical information

- Energy efficiency rating (acc. EU Nr. 65/2014): A
Energy consumption per cycle in conventional mode:1.04 kWh
Energy consumption per cycle in fan-forced convection mode:0.81 kWh
Number of cavities: Main cavity Heat source: electrical Cavity volume:71 litre
- Total connected load electric: 2.99 KW
- 120 cm Cable length
- Nominal voltage: 220 - 240 V
- Appliance dimension (hxwx): 595 mm x 594 mm x 548 mm
- Niche dimension (hxwx): 585 mm - 595 mm x 560 mm - 568 mm x 550 mm
- Please refer to the dimensions provided in the installation manual

N 50, built-in oven, 60 x 60 cm, Stainless steel
B5ACH7AH0B

Dimensioned drawings



If the appliance will be installed underneath a hob, the following worktop thicknesses (including substructure if necessary) must be taken into account.

Hob type	min. worktop thickness	
	fitted	flush
Induction hob	37 mm	38 mm
Full surface Induction hob	47 mm	48 mm
Gas hob	30 mm	38 mm
Electric hob	27 mm	30 mm

