

N 50, built-in oven, 60 x 60 cm, Stainless steel
B5ACH7ANOB



COOKING PASSION SINCE 1877



Built-in oven with Slide&Hide® - unrestricted access to the oven interior

✓ LCD-Display – simple, straightforward with large characters for clear reading

Features

Technical Data

Color / Material Front : Stainless steel

Built-in / Free-standing : Built-in

Integrated Cleaning system : Hydrolytic, Hydrolytic, Pyrolytic

Required niche size for installation (HxWxD) : 585-595 x 560-568 x 550

Dimensions : 595 x 594 x 548

Dimensions of the packed product (HxWxD) (mm) : 660 x 690 x 660

Control Panel Material : Glass

Door Material : Glass

Net weight (kg) : 39.274

Usable volume (of cavity) - cavity 1 (l) : 71

Cooking method : Bottom heat, Bread Baking Setting, Conventional heat, Full width grill, Hot Air, Hotair gentle, Hot air grilling, Pizza setting

First cavity material : Other

Temperature control : electronic

Number of interior lights : 1

Approval certificates : CE, VDE

Length electrical supply cord (cm) : 120

EAN code : 4242004239024

Number of cavities (2010/30/EC) : 1

Energy efficiency rating : A

Energy consumption per cycle conventional (2010/30/EC) : 1.04

Energy consumption per cycle forced air convection (2010/30/EC) : 0.81

Energy efficiency index (2010/30/EC) : 95.3

Connection Rating (W) : 2990

Current (A) : 13

Voltage (V) : 220-240

Frequency (Hz) : 50; 60

Plug type : no plug

Optional accessories

- Z11AB15A0 Baking tray, non-stick ceramic coated
- Z11CB10E0 Baking tray, grey enamelled
- Z11CR10X0 Baking and roasting grid (standard)
- Z11GT10X3 Glass roasting dish, 5,4l
- Z11GU20X0 Glasspan
- Z11TF36X0 3 level telescopic rails, full ext
- Z11TI15X0 Cliprails
- Z12CQ10A0 Grill tray, anthracite enamelled
- Z1913X0 Baking Stone
- Z19DD10X0 Steam set for ovens



4 242004 239024

N 50, built-in oven, 60 x 60 cm, Stainless steel
B5ACH7ANOB



COOKING PASSION SINCE 1877

Features

Design

- LCD-Display Control (white)
- Cavity inner surface: enamel grey

Features

- Door lock during pyrolytic cleaning
Control panel lock
Automatic safety switch off
Residual heat indicator
- Temperature proposal
Actual temperature display
Heating up indicator
Automatic start
- Interior halogen light

Cleaning

- Pyrolytic cleaning
- EasyClean

Programmes/functions

- Rapid heat
- Cooling fan

Accessories

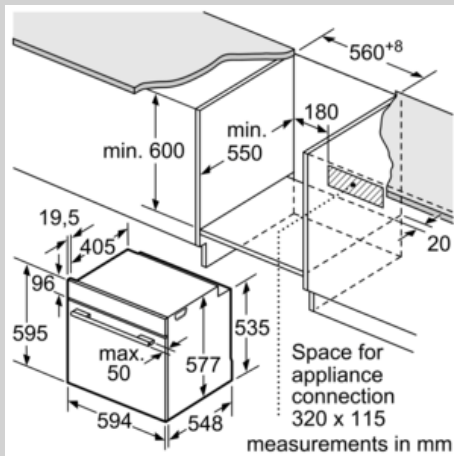
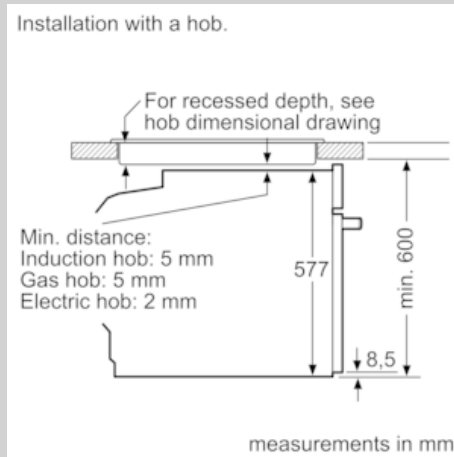
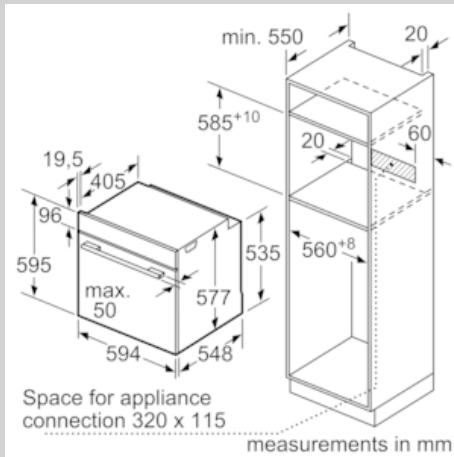
- 2 x combination grid, 1 x universal pan

Performance/technical information

- Energy efficiency rating (acc. EU Nr. 65/2014): A
Energy consumption per cycle in conventional mode: 1.04 kWh
Energy consumption per cycle in fan-forced convection mode:
0.81 kWh
Number of cavities: Main cavity
Heat source: electrical
Cavity volume: 71 litre
- Total connected load electric: 2.99 KW
- 120 cm Cable length
- Nominal voltage: 220 - 240 V
- Appliance dimension (hxwxh): 595 mm x 594 mm x 548 mm
- Niche dimension (hxwxh): 585 mm - 595 mm x 560 mm - 568 mm
x 550 mm
- Please refer to the dimensions provided in the installation manual

N 50, built-in oven, 60 x 60 cm, Stainless steel
B5ACH7AN0B

Dimensioned drawings



If the appliance will be installed underneath a hob, the following worktop thicknesses (including substructure if necessary) must be taken into account.

Hob type	min. worktop thickness	
	fitted	flush
Induction hob	37 mm	38 mm
Full surface Induction hob	47 mm	48 mm
Gas hob	30 mm	38 mm
Electric hob	27 mm	30 mm

