

N 50, built-in oven, 60 x 60 cm, Stainless steel  
B5ACM7HN0B



COOKING PASSION SINCE 1877



Built-in oven with Slide&Hide® - unrestricted access to the oven interior

- ✓ LCD-Display – simple, straightforward with large characters for clear reading
- ✓ Clip-on Rail - easily removed and installed telescopic rails for flexible use on all shelf levels

#### Features

##### Technical Data

Color / Material Front : Stainless steel  
Built-in / Free-standing : Built-in  
Integrated Cleaning system : Hydrolytic, Hydrolytic, Pyrolytic  
Required niche size for installation (HxWxD) : 585-595 x 560-568 x 550  
Dimensions : 595 x 594 x 548  
Dimensions of the packed product (HxWxD) (mm) : 670 x 700 x 660  
Control Panel Material : Glass  
Door Material : Glass  
Net weight (kg) : 40.308  
Usable volume (of cavity) - cavity 1 (l) : 71  
Cooking method : Bottom heat, Bread Baking Setting, Conventional heat, Full width grill, Hot Air, Hotair gentle, Hot air grilling, Pizza setting  
First cavity material : Other  
Temperature control : electronic  
Number of interior lights : 1  
Approval certificates : CE, VDE  
Length electrical supply cord (cm) : 120  
EAN code : 4242004224235  
Number of cavities (2010/30/EC) : 1  
Energy efficiency rating : A  
Energy consumption per cycle conventional (2010/30/EC) : 1.04  
Energy consumption per cycle forced air convection (2010/30/EC) : 0.81  
Energy efficiency index (2010/30/EC) : 95.3  
Connection Rating (W) : 2990  
Current (A) : 13  
Voltage (V) : 220-240  
Frequency (Hz) : 50; 60  
Plug type : no plug

#### Optional accessories

- Z11AB15A0 Baking tray, non-stick ceramic coated
- Z11CB10E0 Baking tray, grey enamelled
- Z11CR10X0 Baking and roasting grid (standard)
- Z11GT10X3 Glass roasting dish, 5,4l
- Z11TF36X0 3 level telescopic rails, full ext
- Z11TI15X0 Cliprails
- Z1913X0 Baking Stone
- Z19DD10X0 Steam set for ovens



4 242004 224235

N 50, built-in oven, 60 x 60 cm, Stainless steel  
B5ACM7HNOB



COOKING PASSION SINCE 1877

## Features

### Design

- LCD-Display Control (white)
- Cavity inner surface: enamel grey

### Features

- Door lock during pyrolytic cleaning  
Control panel lock  
Automatic safety switch off  
Residual heat indicator
- Temperature proposal  
Actual temperature display  
Heating up indicator  
Automatic start
- Single-point meat probe
- Interior halogen light

### Cleaning

- Pyrolytic cleaning
- EasyClean

### Programmes/functions

- Rapid heat
- Cooling fan

### Accessories

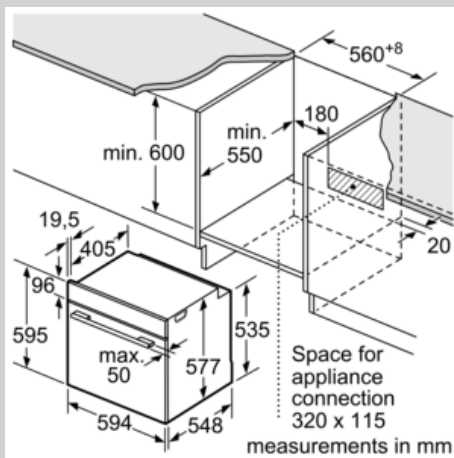
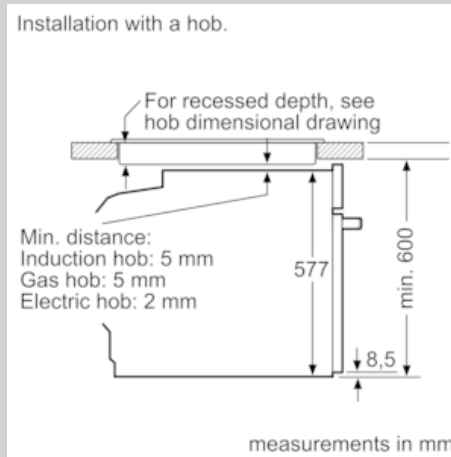
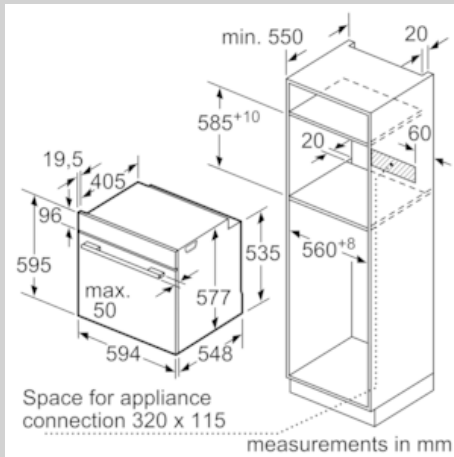
- 1 Clip rail, Stop function
- 2 x combination grid, 1 x universal pan

### Performance/technical information

- Energy efficiency rating (acc. EU Nr. 65/2014): A  
Energy consumption per cycle in conventional mode: 1.04 kWh  
Energy consumption per cycle in fan-forced convection mode:  
0.81 kWh  
Number of cavities: Main cavity  
Heat source: electrical  
Cavity volume: 71 litre
- Total connected load electric: 2.99 KW
- 120 cm Cable length
- Nominal voltage: 220 - 240 V
- Appliance dimension (hxwxh): 595 mm x 594 mm x 548 mm
- Niche dimension (hxwxh): 585 mm - 595 mm x 560 mm - 568 mm  
x 550 mm
- Please refer to the dimensions provided in the installation manual

N 50, built-in oven, 60 x 60 cm, Stainless steel  
B5ACM7HNOB

Dimensioned drawings



If the appliance will be installed underneath a hob, the following worktop thicknesses (including substructure if necessary) must be taken into account.

Hob type	min. worktop thickness	
	fitted	flush
Induction hob	37 mm	38 mm
Full surface Induction hob	47 mm	48 mm
Gas hob	30 mm	38 mm
Electric hob	27 mm	30 mm

