

N 70, BUILT-IN COMPACT OVEN WITH  
MICROWAVE FUNCTION, 60 X 45 CM, STAINLESS  
STEEL  
C17MR02N0B



Included accessories

1 x combination grid, 1 x universal pan

Optional accessories

Z11AB15A0 Baking tray, non-stick ceramic coated, Z11AU15A0  
Universal pan, non-stick ceramic coated, Z11GT10X3 Glass  
roasting dish, 5,4l, Z11GU20X0 Glasspan, Z11SZ00X0  
SeamlessCombination mounting kit, Z11SZ60X0  
SeamlessCombination 45 + 14cm, Z11SZ90X0  
SeamlessCombination 60 + 45cm, Z12CB10A0 Baking tray,  
enamelled, Z12CM10A0 Moussaka pan, enamelled, Z12CP10A0  
Pizza pan, enamelled, Z12CQ10A0 Grill tray, enamelled,  
Z12CU10A0 Multipurpose pan, enamelled, Z13CR10X0 Baking and  
roasting grid (steam), Z13CV05S0 Cover Strip, Z13CV06S0 Decor  
strip, Z14CR10X0 Baking and roasting grid (microwave), Z1913X0  
Baking Stone

Compact built-in oven with integral microwave - even more ways  
to cook quickly and conveniently in a very small space

- ✓ CircoTherm® – Smart hot-air solution that lets you bake on up to four levels.
- ✓ Combined microwave and oven - the convenient solution to save space and time
- ✓ Shift Control - fast navigation through menus and simple operation with the TFT display.
- ✓ LED lights - Bright illumination exactly where you need it.
- ✓ Soft Close with Soft Opening - the damping system cushions the door for gentle opening and closing

Features

Technical Data

Type of micro-wave oven: ..... MW-Combi  
Type of control: ..... Electronic  
Dimensions: ..... 455 x 596 x 548 mm  
Cavity dimensions: ..... 237.0 x 480 x 392.0 mm  
Length electrical supply cord: ..... 150.0 cm  
Net weight: ..... 35.3 kg  
Gross weight: ..... 37.6 kg  
EAN code: ..... 4242004182177  
Maximum micro-wave power: ..... 900 W  
Connection Rating: ..... 3600 W  
Fuse protection: ..... 16 A  
Voltage: ..... 220-240 V  
Frequency: ..... 60; 50 Hz  
Plug type: ..... no plug  
(electrical connection by electrician)  
Included accessories: ..... 1 x combination grid, 1 x universal pan



N 70, BUILT-IN COMPACT OVEN WITH  
MICROWAVE FUNCTION, 60 X 45 CM, STAINLESS  
STEEL  
C17MR02NOB

## Features

### Design

- 2.5" TFT colour display
- Illuminated Shift Control
- Drop down door, SoftClose, soft opening
- Bar handle
- 3 shelf positions
- Cavity inner surface: enamel anthracite
- We recommend you to choose complementary products within N70, in order to assure an optimal design combination of your Built-In appliances.

### Features

- Intelligent microwave inverter technology: For optimised results maximum output power will be regulated to 600 W when used in longer operation for gentler cooking.
- Control panel lock
- Automatic safety switch off Residual heat indicator Start button Door contact switch
- Temperature proposal
- Actual temperature display Heating up indicator automatic programmes:
- Automatic programmes
- LED light, On/off button
- Cooling fan

### Programmes/functions

- Compact oven with microwave with Multifunction oven with 6 cooking functions: heating methods: CircoTherm®, CircoTherm® Gentle, Circo-roasting, Full surface grill, Centre surface grill, Plate warming setting
- Number of automatic programmes: 14 PC
- Additional heating methods with microwave: Microwave, Combi microwave constant
- Max. Power: 900 W; 5 Microwave power settings (90 W, 180 W, 360 W, 600 W, 900 W)
- Rapid heat

### Accessories

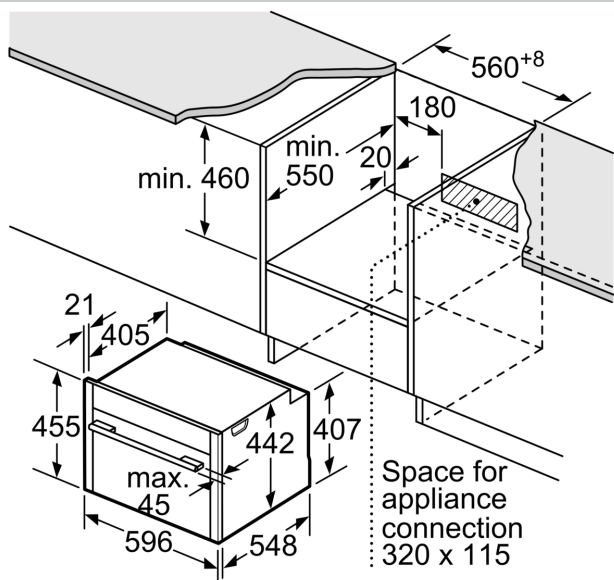
- 1 x universal pan, 1 x combination grid

### Performance/technical information

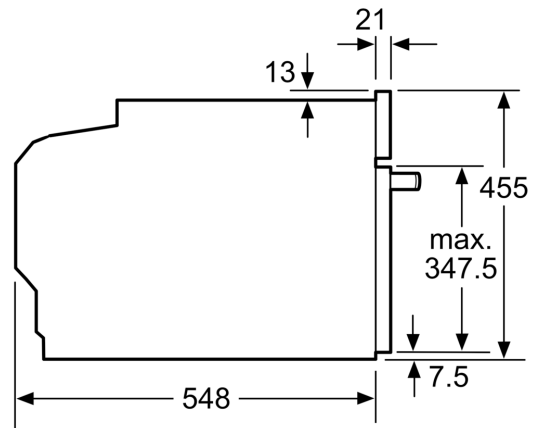
- Cavity volume: 45 litre
- Temperature range 30 °C - 275 °C
- 150 cm Cable Cable length
- Nominal voltage: 220 - 240 V
- Total connected load electric: 3.6 KW
- Appliance dimension (hxxxd): 455 mm x 596 mm x 548 mm
- Niche dimension (hxxxd): 450 mm - 455 mm x 560 mm - 568 mm x 550 mm
- Please refer to the dimensions provided in the installation manual

N 70, BUILT-IN COMPACT OVEN WITH  
MICROWAVE FUNCTION, 60 X 45 CM, STAINLESS  
STEEL  
C17MR02NOB

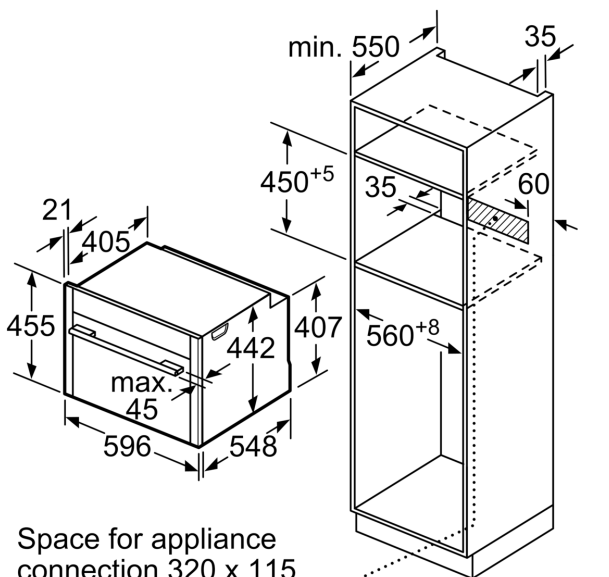
Dimensioned drawings



measurements in mm

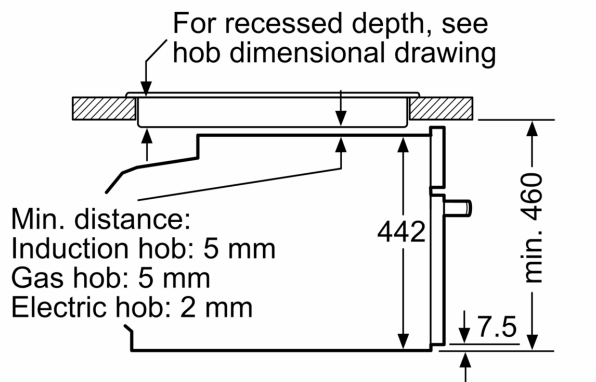


measurements in mm



measurements in mm

Installation with a hob.



measurements in mm

Dimensioned drawings

If the compact appliance will be installed underneath a hob, the following worktop thicknesses (including substructure if necessary) must be taken into account.

Hob type	min. worktop thickness	
	fitted	flush
Induction hob	42 mm	43 mm
Full surface Induction hob	52 mm	53 mm
Gas hob	32 mm	43 mm
Electric hob	32 mm	35 mm