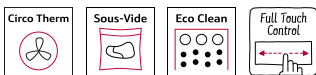


N 90, BUILT-IN COMPACT OVEN WITH STEAM FUNCTION, 60 X 45 CM, STAINLESS STEEL C18FT56H0B



A+



- ✓ Slide® - the rotating handle that sits comfortably in your hand
- ✓ CircoTherm® – Smart hot-air solution that lets you bake on up to four levels.
- ✓ Sous-vide - prepare vacuum-sealed dishes with FullSteam for a new horizon of flavour.
- ✓ Eco Clean with Base Clean - the duo that makes oven cleaning easier
- ✓ Full Touch Control – Simple, precise control by touch on the high-resolution TFT colour display.

Features

Technical Data

Built-in / Free-standing: Built-in
 Door opening: Drop down
 Min. required niche size for installation (HxWxD): 450-455 x 560-568 x 550 mm
 Dimensions: 455 x 596 x 548 mm
 Dimensions of the packed product (HxWxD): . 540 x 660 x 690 mm
 Control Panel Material: Stainless steel
 Door Material: Glass
 Net weight: 35.0 kg
 Length electrical supply cord: 150.0 cm
 EAN code: 4242004236412
 Fuse protection: 16 A
 Voltage: 220-240 V
 Frequency: 50; 60 Hz
 Plug type: no plug (electrical connection by electrician)
 Number of cavities (2010/30/EC): 1
 Usable volume (of cavity) - NEW (2010/30/EC): 47 l
 Energy efficiency rating: A+
 Energy consumption per cycle conventional (2010/30/EC): 0.73 kWh/cycle
 Energy consumption per cycle forced air convection (2010/30/EC): 0.61 kWh/cycle
 Energy efficiency index (2010/30/EC): 81.3 %
 Included accessories: 1 x grid, 1 x universal pan, 1 x steam container, punched, size S, 1 x steam container, punched, size XL, 1 x steam container, unpunched, size S

Included accessories

1 x grid, 1 x universal pan, punched, size XL, 1 x steam container, unpunched, size S

Optional accessories

Z11SZ00X0 SeamlessCombination mounting kit, Z11SZ60X0 SeamlessCombination 45 + 14cm, Z11SZ90X0 SeamlessCombination 60 + 45cm, Z12CB10A0 Baking tray, enamelled, Z12CM10A0 Moussaka pan, enamelled, Z12CP10A0 Pizza pan, enamelled, Z12CQ10A0 Grill tray, enamelled, Z12CU10A0 Multipurpose pan, enamelled, Z13CU31X0 Steam container, punched, size S, Z13CV05S0 Cover Strip, Z13CV06S0 Decor strip, Z11AB15A0 Baking tray, non-stick ceramic coated, Z11AU15A0 Universal pan, non-stick ceramic coated, Z11GT10X3 Glass roasting dish, 5,4l, Z11GU20X0 Glasspan, Z13CX62X0 Vacuum bags 180 x 280 mm, 100 pcs., Z13CX64X0 Vacuum bags 240 x 350 mm, 100 pcs., Z13TC10X0 ComfortFlex Rail (1 level) f. steam, Z13TC14X0 ComfortFlex Rail (1)&racks,45cm f. steam, Z13CR10X0 Baking and roasting grid (steam), Z13CU30X0 Steam container, unpunched, size S



N 90, BUILT-IN COMPACT OVEN WITH STEAM
FUNCTION, 60 X 45 CM, STAINLESS STEEL
C18FT56H0B

Features

Design

- 5.7" TFT colour and graphics display with FullTouch control
- Cavity inner surface: enamel anthracite
- Drop down door, SoftClose, soft opening
- Touch control
- We recommend you to choose complementary products within N90, in order to assure an optimal design combination of your Built-In appliances.

Features

- HomeConnect ready on WLAN
- Control panel lock
- Automatic safety switch off Residual heat indicator Start button Door contact switch
- Temperature proposal
- Actual temperature display Heating up indicator automatic programmes: meat probe
- Baking and roasting assistant, Automatic programmes
- Water tank empty indicator
- MultiPoint MeatProbe
- LED light, On/off button
- Cooling fan
- Electronic clock timer
- 3 shelf positions

Cleaning

- EcoCleanDirect : ceiling, back panel, side liners
- EcoClean programme, Base Clean programme
- Full glass inner door

Programmes/functions

- Compact steam oven with 13 main functions heating methods: CircoTherm®, CircoTherm® Gentle, Top/bottom heat, Conventional heat Gentle, Circo-roasting, Full surface grill, Centre surface grill, CircoTherm® intensive, Bread baking, Bottom heat, Low temperature cooking, Plate warming setting, Keep warm
- Additional heating methods with steam: Steaming, Reheat with steam, Dough proving, Defrost
- Additional functions:
- De-scaling programme
- Drying function Automatic boiling point detection
- Number of automatic programmes: 30 PC
- Rapid heat

Accessories

- 1 x steam container, punched, size S, 1 x steam container, punched, size XL, 1 x steam container, unpunched, size S, 1 x grid, 1 x universal pan

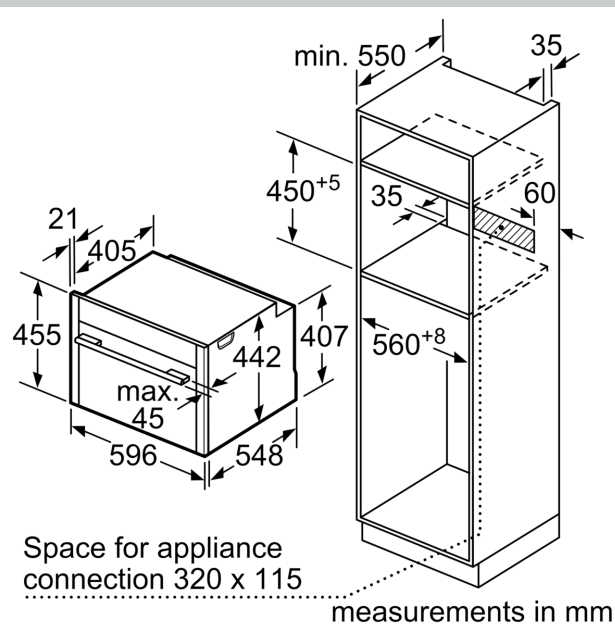
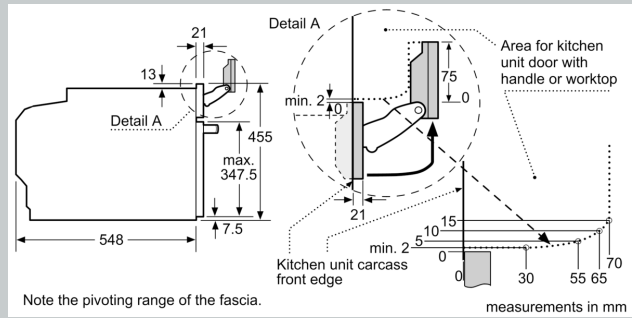
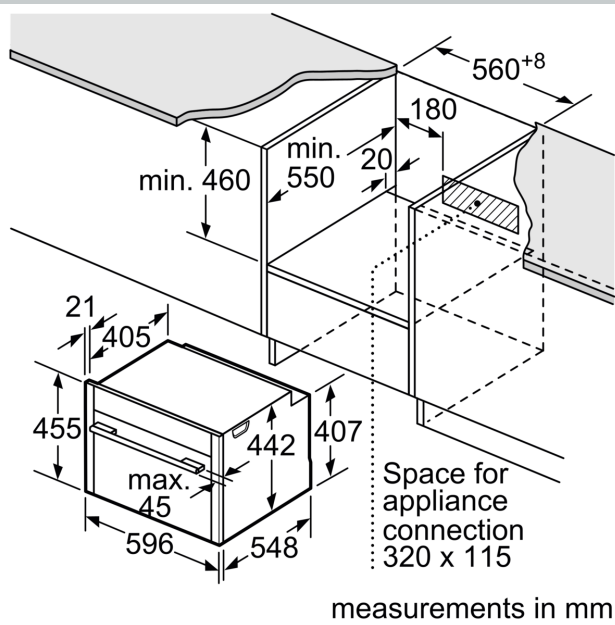
Performance/technical information

- Energy efficiency rating (acc. EU Nr. 65/2014): A+
- Energy consumption per cycle in conventional mode: 0.73 kWh
- Energy consumption per cycle in fan-forced convection mode: 0.61 kWh

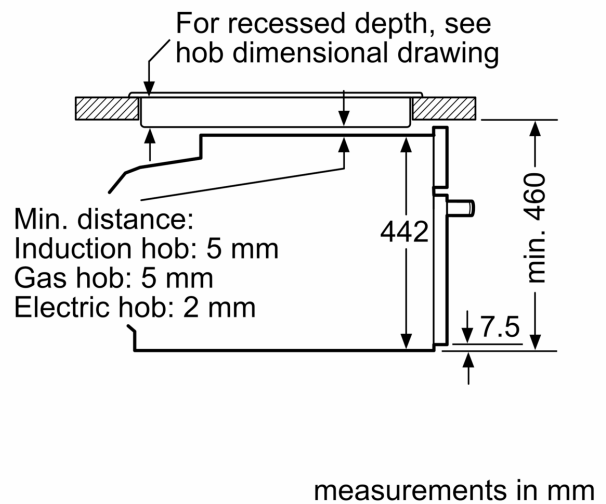
- Number of cavities: Main cavity Heat source: electrical Cavity volume: 47 litre
- Temperature range 40 °C - 250 °C
- 1 l Water tank capacity
- Location of water tank: Outside cavity
- 150 cm Cable Cable length
- Nominal voltage: 220 - 240 V
- Appliance dimension (hxwx): 455 mm x 596 mm x 548 mm
- Please refer to the dimensions provided in the installation manual

*N 90, BUILT-IN COMPACT OVEN WITH STEAM
FUNCTION, 60 X 45 CM, STAINLESS STEEL
C18FT56H0B*

Dimensioned drawings



Installation with a hob.



Dimensioned drawings

If the compact appliance will be installed underneath a hob, the following worktop thicknesses (including substructure if necessary) must be taken into account.

Hob type	min. worktop thickness	
	fitted	flush
Induction hob	42 mm	43 mm
Full surface Induction hob	52 mm	53 mm
Gas hob	32 mm	43 mm
Electric hob	32 mm	35 mm