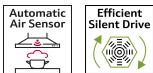


N 90, TELESCOPIC COOKER HOOD, 90 CM,
STAINLESS STEEL
D49PU54X1B



Telescopic hood: designed to provide powerful extraction without impacting on your kitchen space or design. These hoods pull out from underneath a cabinet when required for a streamlined kitchen.

- ✓ Automatic Air Sensor – Adjusts the extraction rate automatically.
- ✓ Efficient Drive Motor – Quiet and energy-efficient hood motor for a calmer kitchen.
- ✓ Touch Control: an integrated flat surface control panel for smooth operation with a fingerswipe.
- ✓ Intensive speed setting: increases the extraction rate when the steam gets intense

Z51ITB2X4	Clean Air Standard odor filter (repl.)
Z51ITD1X1	Long Life recirculation kit external
Z51ITI2X4	Clean Air Standard recirculation kit
Z51ITP0X0	Long Life odor filter (replacement)
Z51IXB1X6	Clean Air Plus odor filter (replacement)
Z51IXC1X6	Clean Air Plus recirc. kit external
Z54TL90X1	Lowering frame
Z54TM90X0	Installation kit for 90cm wide wall unit

Typology: Pull-out
Length electrical supply cord: 175.0 cm
Required niche size for installation (HxWxD): 385mm x 524.0mm x 290mm mm
Height of the appliance: 426 mm
Minimum distance above an electric hob: 430 mm
Minimum distance above a gas hob: 650 mm
Net weight: 13.6 kg
Type of control: Electronic
Number of speed settings: 3-stage + 2 intensive
Maximum output air extraction: 395 m ³ /h
Boost position output recirculating: 628 m ³ /h
Maximum output recirculating air: 358 m ³ /h
Boost position air extraction: 700 m ³ /h
Maximum Air flow: 395 m ³ /h
Number of lights: 3
Noise level: 53 dB(A) re 1pW
Diameter of air outlet: 120 / 150 mm
Grease filter material: Washable stainless steel
EAN code: 4242004251224
Connection Rating: 146 W
Fuse protection: 10 A
Voltage: 220-240 V
Frequency: 50; 60 Hz
Plug type: GB plug
Installation typology: Built-in



N 90, TELESCOPIC COOKER HOOD, 90 CM,
STAINLESS STEEL
D49PU54X1B

Features

- ClimateControl sensor
- Touch control with 7 segment LED display
- 3 power levels and 2 intensive settings
- SoftLight with dimmer function
- 3 x 1,5W LED
- Efficient BLDC technology
- Noise reduction function
- Interval operation
- Automatic intensive revert (6mins)
- Automatic after running (10 minutes)
- 3 metal grease filter cassettes
- Saturation indicator for metal and charcoal filter

Design

- 90 cm wide
- Stainless steel
- Handle strip specification: N6-design with logo
- Stainless steel filter covers

Performance

- Suitable for ducted extraction and recirculation
- For recirculated extraction recirculating kit or CleanAir recirculating kit (accessory) needed
- Energy Efficiency Class: B (at a range of energy efficiency classes from A+++ to D)
- Extraction rate according to EN 61591 ø 15 cm:
- max. Normal use: 395 m³/h
- Intensive: 700 m³/h
- Noise level according to EN 60704-3 and EN 60704-2-13 at max. normal use exhaust air: 53 dB(A) re 1 pW
- Noise level according to EN 60704-3 and EN 60704-2-13 exhaust air:
- Max. normal use: 53 dB(A) re 1 pW
- Intensive: 69 dB(A) re 1 pW
- With the Clean Air Plus recirculation kit (available as optional accessory) your appliances reaches:
- Extraction rate in recirculation mode: Max. normal use: 358 m³/h
- Intensive: 628 m³/h
- Noise level in recirculation mode: Max. normal use: 60 dB(A) re 1 pW
- Intensive: 71 dB(A) re 1 pW
- Colour Temperature: 3500 K
- Light Intensity: 355 lux
- Average Energy Consumption: 38.8 kWh/year*
- Blower Efficiency Class: B*
- Lighting Efficiency Class: A*
- Grease Filtering Efficiency Class: B*
- Power rating: 146 W

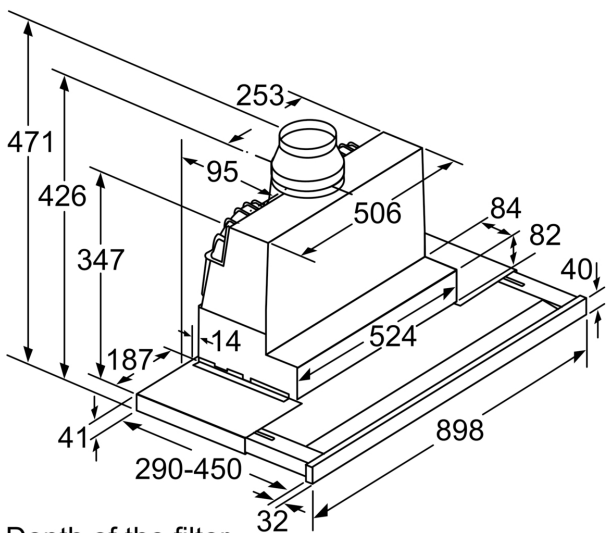
Planning and installation information

- Installation system: Telescopic comfort installat.

- Dimensions (HxWxD): 426 x 898 x 290 mm
- Built-in dimensions (HxWxD): 385 x 524 x 290 mm
- Diameter pipe Ø 150 mm (Ø 120 mm enclosed)
- Electrical cable length 1.75 m

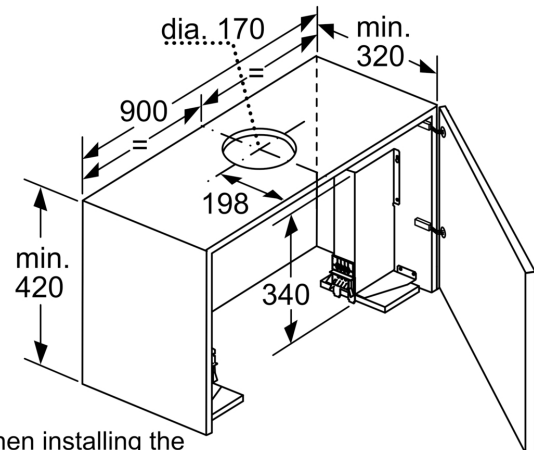
* In accordance with the EU-Regulation No 65/2014

N 90, TELESCOPIC COOKER HOOD, 90 CM,
STAINLESS STEEL
D49PU54X1B



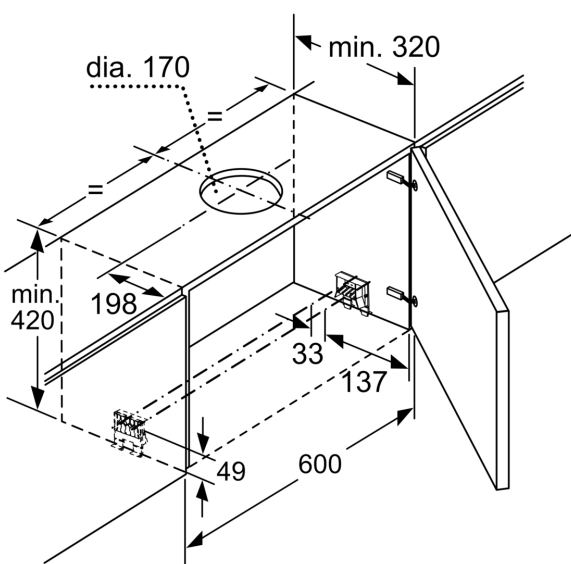
Depth of the filter
drawer can be adjusted
by up to 29 mm

measurements in mm

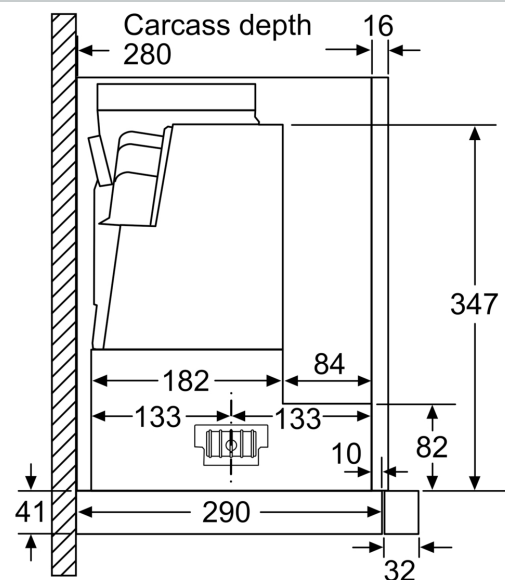


When installing the
90 cm telescopic hood in a 90 cm wide
wall-hanging cupboard, the mounting kit is required.
The two mounting brackets are screwed onto the
right and left of the kitchen unit. Installation in
accordance with template.

measurements in mm



measurements in mm



measurements in mm

