

N 70, built-in freezer, 177.2 x 55.8 cm, flat hinge
G17813EFOG



COOKING PASSION SINCE 1877



This NoFrost built-in freezer needs no defrosting and features a malfunction warning signal in case of increasing temperature.

- ✓ No Frost – No more defrosting your freezer.
- ✓ Vario Zone – Individualize your drawers with various loading options to create the optimal fit for frozen goodies

Features

Technical Data

Energy Efficiency Class : F
Average annual energy consumption in kilowatt hour per year (kWh/a) : 294 kWh/annum
Sum of volume of frozen compartments : 212 l
Airborne acoustical noise emissions : 36 dB
Airborne acoustical noise emission class : C
Thermometer freeze section : Digital
Light : No
Product category : Upright freezer
Built-in / Free-standing : Built-in
Door panel options : Not possible
Frost free system : Fridge and freezer
Height without worktop / build under : 1772 mm
Width of the appliance : 558 mm
Depth : 545 mm
Dimensions of the packed product (HxWxD) : 1840 x 640 x 620 mm
Net weight : 64.416 kg
Gross weight : 69.6 kg
Connection Rating : 120 W
Fuse protection : 13 A
Frequency : 50 Hz
Approval certificates : CE, VDE
Length electrical supply cord : 230 cm
Door hinge : Left reversible
Storage Period in Event of Power Failure (h) : 8 h
Warning signal / malfunction : visual and audible
Lockable door : No
Number of drawers/baskets (Stck) : 5
Number of freezing flaps (Stck) : 2
EAN code : 4242004243281
Brand : Neff
Product name / Commercial code : G17813EFOG
Product category : Upright freezer



4 242004 243281

N 70, built-in freezer, 177.2 x 55.8 cm, flat hinge
G17813EFOG



COOKING PASSION SINCE 1877

Features

Functions

Design features

- Full frost free, never have to defrost ever again
- LCD temperature readout
- Fixed hinge
- 1 compressor/1 cooling circuit
- SuperFreeze functions with automatic deactivation
- vitaControl - constant temperature by intelligent sensor technology - Constant temperature control by intelligent sensor technology
- Freezer malfunction warning signal: optical, acoustical

Freezer Section

- 2 hinged freezer compartment
- 5 transparent freezer drawers, 2

Technical Information

- Left hinged door, reversible
- Connection value 120 W
- 220 - 240 V

Dimension and installation

- Niche Dimensions: 177.5 cm H x 56 cm W x 55 cm D
- Dimensions: 177.2 cm H x 55.8 cm W x 54.5 cm D

Accessories

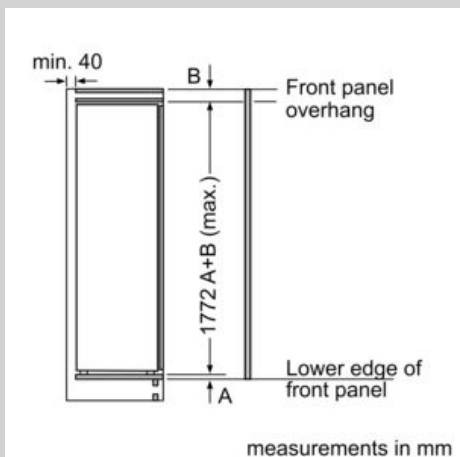
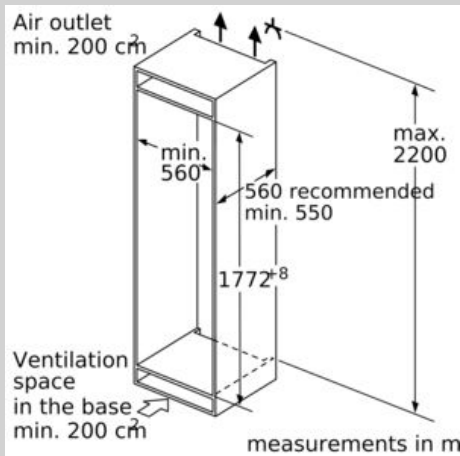
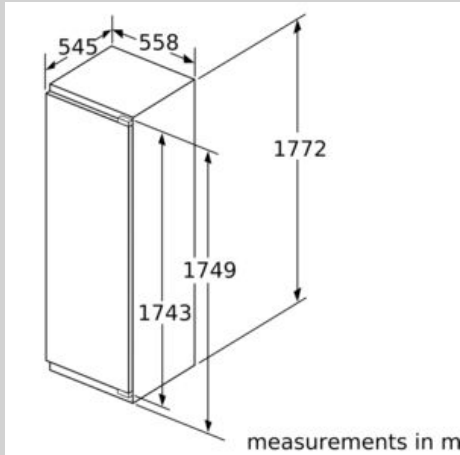
- ice cube tray

Performance and Consumption

- EU19_EEK_D: F
- Total Volume : 212 l
- Net Fridge Volume : 0 l
- Net Freezer Volume : 212 l
- Net 4* compartment volume : 212 l
- Freezing capacity 24h : 13.8 kg
- Annual Energy Consumption: 294 kWh/a
- Climate Class: SN-T
- Noise Level : 36 dB
- Temperature rise time : EU19_Temperature rise time_D: 8 H

N 70, built-in freezer, 177.2 x 55.8 cm, flat hinge
G17813EFOG

Dimensioned drawings



Maximal permissible weight of the unit fronts

Fitted kitchen unit doors that exceed the permissible weight may cause damage and result in functional impairment of the hinges.

T: Includes height of appliance door	undamped hinge,	damped hinge,
Hinges in mm:	Door in kg:	Door in kg:
1500-1750	22	22

measurements in mm
Recommended gap dimensions for flat hinges

	F	R	X
16-19	0-3	2.5	
	20	0-1	3
21	2-3	2.5	
	22	0-1	3
22	2-3	2.5	
		0	4
		1	3.5
		2-3	3

The gap dimensions recommended in the table must be adhered to in order to ensure that appliance doors do not collide with anything when they are opened, and to avoid causing damage to kitchen units.

Maximal permissible weight of the unit fronts

Fitted unit fronts that exceed the permissible weight may cause damage and result in functional impairment of the hinges.

Δ Weight
A: Appliance door height including hinges in mm
B: Undamped hinge, unit front in kg
C: Damped hinge, unit front in kg

	A	B	C
1500-1750	22	22	
720-1400	19	19	
A1	15	19	
A2	15	19	