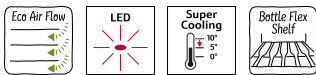


N 50, BUILT-IN FRIDGE, 87.4 X 54.1 CM, FLAT HINGE
K11212FEO



This built-in refrigerator keeps food at its freshest thanks to the ideal air circulation Eco Air Flow.

- ✓ Eco Air Flow – Even air circulation for constant temperatures and fast cooling.
- ✓ LED Light – Pleasant illumination for the entire fridge, with long-life LEDs.
- ✓ Super Cooling – Reduces the temperature for quick chilling, before returning to the regular setting.
- ✓ Bottle Flex Shelf – A bottle holder and shelf in one.
- ✓ Flex Door Storage – Extra space for your bottles.

Features

Technical Data

Energy Efficiency Class ¹ :	E
Average annual energy consumption in kilowatt hour per year (kWh/a):	92 kWh/annum
Sum of volume of frozen compartments:	0 l
Sum of volume of chill compartments:	136 l
Airborne acoustical noise emissions :	35 dB(A) re 1pW
Airborne acoustical noise emission class:	B
Built-in / Free-standing:	Built-in
Door panel options:	Possible but accessory
Height:	874 mm
Width of the appliance:	541 mm
Depth:	548 mm
Required niche size for installation (HxWxD):	880x560x550 mm
Net weight:	30.6 kg
Fuse protection:	10 A
Door hinge:	Right reversible
Voltage:	220-240 V
Frequency:	50 Hz
Length electrical supply cord:	230 cm
Number of compressors:	1
Number of independent cooling systems:	1
Interior ventilator:	No
Reversible Door Hinge:	Yes
Number of Adjustable Shelves in fridge compartment:	2
Shelves for Bottles:	Yes
EAN code:	4242004265016
Brand:	Neff
Product name / Commercial code:	K11212FEO
Product category:	Refrigerator
Installation typology:	Full-integrated
Included accessories:	1 x bottle support



¹ Scale of Energy Efficiency Classes from A to G

N 50, BUILT-IN FRIDGE, 87.4 X 54.1 CM, FLAT HINGE KI1212FE0

Features

- Built-in fridge
- easy Installation
- Fixed hinge

- Based on the results of the standard 24-hour test. Actual consumption depends on usage/position of the appliance.
- 3 safety glass shelves (2 height adjustable)

Performance and Consumption

- EU19_EEK_D: E
- Total Volume : 136 l
- Net Fridge Volume : 136 l
- Annual Energy Consumption: 92 kWh/a
- Climate Class: SN-ST
- Noise Level : 35 dB

Functions

- Bright interior LED fridge light

Design features

- 3 safety glass shelves in fridge compartment of which 2 are height adjustable
- 1 removable door storage compartments.
- 2 door bins
- Door shelves in fridge door: 1 large and 1 small
- BottleFlex Shelf

Freshness System

- 1 FreshSafe drawer- The ideal place to store your fruit and vegetables safely.

Key features - Fridge section

- Right hinged door, reversible
- SuperCool function with automatic deactivation
- Fully integrated
- Automatic defrost fridge
- Easy clean interior
- Single cooling circuit

Dimension and installation

- Niche Dimensions: 88 cm H x 56 cm W x 55 cm D
- Dimensions: 87.4 cm H x 54.1 cm W x 54.8 cm D
- 220 - 240 V

Included accessories

- KF1213S0, KF1213Z0, KS6B0RZ0, KSGG0MZ0

Key features - Freezer section

- KI1212FE0
- bottle support
- bottle holder in door tray

Additional features

- Length of power cord: 230 cm

Design features

Dimension and installation

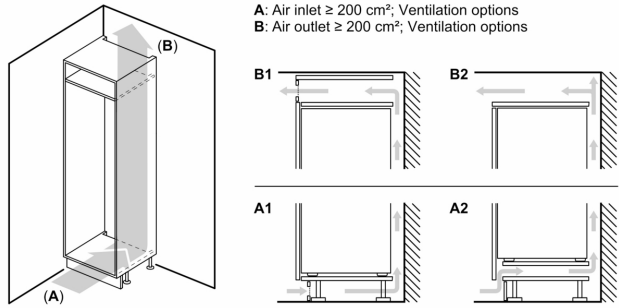
Design features

- Electronic control (LED chain)

Country Specific Options

N 50, BUILT-IN FRIDGE, 87.4 X 54.1 CM, FLAT HINGE
K11212FEO

Dimensioned drawings

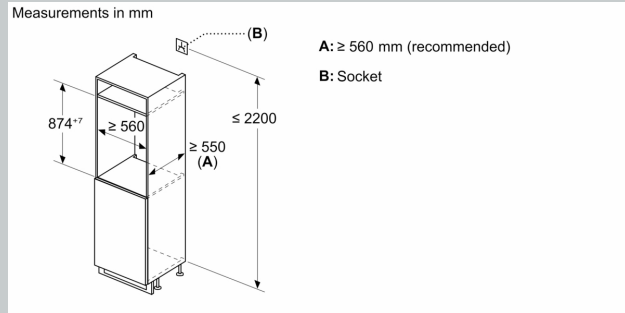
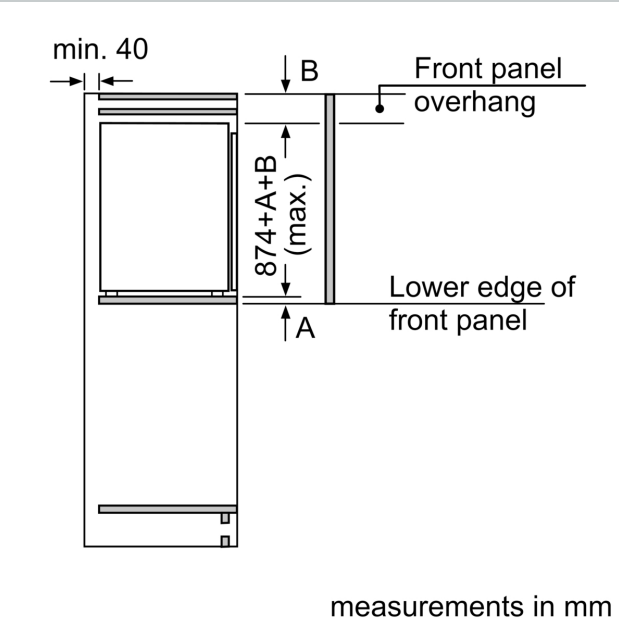


Maximal permissible weight of the unit fronts

Fitted unit fronts that exceed the permissible weight may cause damage and result in functional impairment of the hinges

Δ Weight
A: Appliance door height including hinges in mm
B: Undamped hinge, unit front in kg
C: Damped hinge, unit front in kg
D: Additional possible load in kg with heavy load kit

A	B	C	D
1500-1750	22	22	
720-1400	19	19	B+5 / C+5
A1	15	19	
A2	15	19	



measurements in mm
Recommended gap dimensions for flat hinges

F	R	X
16-19	0-3	2.5
20	0-1	3
	2-3	2.5
21	0-1	3
	2-3	2.5
22	0	4
	1	3.5
	2-3	3

The gap dimensions recommended in the table must be adhered to in order to ensure that appliance doors do not collide with anything when they are opened, and to avoid causing damage to kitchen units.