

N 70, BUILT-IN FRIDGE, 122.5 X 56 CM, FLAT HINGE
K11413FD0



This built-in refrigerator comes with many convenient features

- ✓ Fresh Safe 2 – Ideal storage for fruit and veg.
- ✓ Easy Access Shelf – Slides out for easier access to items in your fridge.
- ✓ Vario Shelf – The glass shelf that can be divided, with one half stored beneath the other, for flexible configurations.
- ✓ Adjustable Glass Shelves – Height adjustable shelves create the space you need for inspiring dishes in your fridge
- ✓ Our safety glass shelves happily shoulder generous loads of delicacies in your fridge

Features

Technical Data

Energy Efficiency Class:	D
Average annual energy consumption in kilowatt hour per year (kWh/a):	81 kWh/annum
Sum of volume of frozen compartments:	0 l
Sum of volume of chill compartments:	211 l
Airborne acoustical noise emissions :	34 dB(A) re 1 pW
Airborne acoustical noise emission class:	B
Built-in / Free-standing:	Built-in
Door panel options:	Possible but accessory
Height:	1221 mm
Width of the appliance:	558 mm
Depth:	545 mm
Min. required niche size for installation (HxWxD): ..	1225.0 x 560 x 550 mm
Net weight:	44.1 kg
Fuse protection:	10 A
Door hinge:	Right reversible
Voltage:	220-240 V
Frequency:	50 Hz
Length electrical supply cord:	230.0 cm
Number of compressors:	1
Number of independent cooling systems:	1
Interior ventilator:	No
Reversible Door Hinge:	Yes
Number of Adjustable Shelves in fridge compartment:	5
Shelves for Bottles:	No
EAN code:	4242004249016
Brand:	Neff
Product name / Commercial code:	K11413FD0
Product category:	Refrigerator
Frost free system:	No
Installation typology:	Full-integrated
Included accessories:	2 x egg tray

Included accessories

2 x egg tray

Optional accessories

KSGG0MZO	Butter box
Z10020	Bottle Rack
KF1413S0	Door panel with decor frame
KF1413Z0	Door panel with decor frame
KS9E0FZ0	Package Neff FlexCooling



N 70, BUILT-IN FRIDGE, 122.5 X 56 CM, FLAT HINGE K1413FDO

Features

Functions

- Bright interior LED fridge light

Design features

- Touchcontrol- Electronic - LED Electronic control
- vitaControl - constant temperature by intelligent sensor technology
- Constant temperature control by intelligent sensor technology
- Automatic defrost fridge
- SuperCool function with automatic deactivation
- Acoustic door open warning indicator

Design features

- 6 safety glass shelves (5 height adjustable)
- 4 door trays, including 1x dairy compartment

Freshness System

- 1 FreshSafe 2 drawer; High humidity retains nutrients up to twice as long

Dimension and installation

- Dimensions: 122.1 cm H x 55.8 cm W x 54.5 cm D
- Niche Dimensions: 122.5 cm H x 56 cm W x 55 cm D

Key features - Fridge section

- Right hinged door, reversible
- 220 - 240 V

Key features - Freezer section

- 2 x egg tray
- bottle holder in door tray

Included accessories

- KSGG0M20, Z10020, KF1413S0, KF1413Z0, KS9E0FZ0

Country Specific Options

- Based on the results of the standard 24-hour test. Actual consumption depends on usage/position of the appliance.

Design features

Dimension and installation

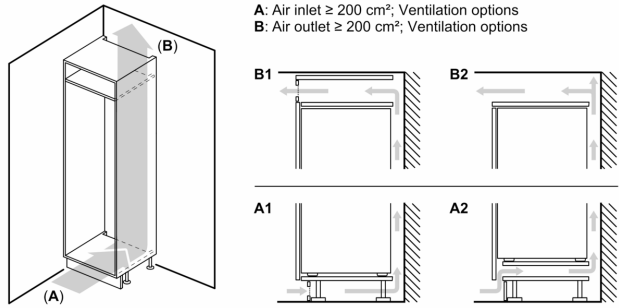
Additional features

Performance and Consumption

- EU19_EEK_D: D
- Total Volume : 211 l
- Net Fridge Volume : 211 l
- Annual Energy Consumption: 81 kWh/a
- Noise Level : 34 dB

N 70, BUILT-IN FRIDGE, 122.5 X 56 CM, FLAT HINGE
K1413FDO

Dimensioned drawings



Maximal permissible weight of the unit fronts

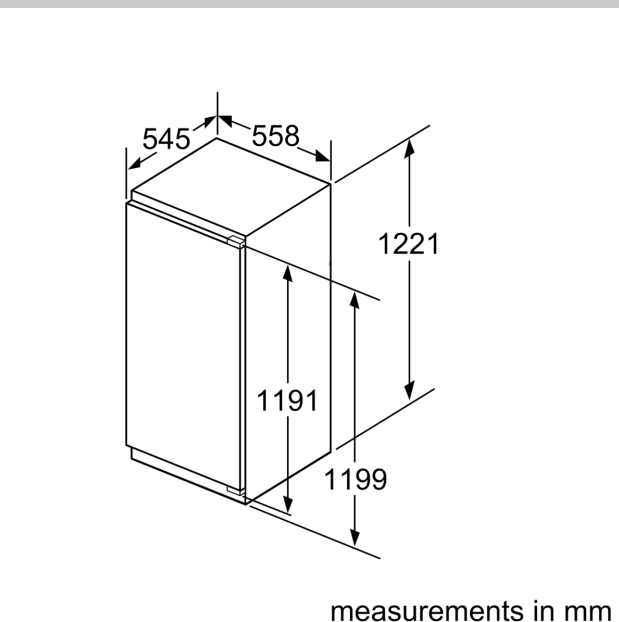
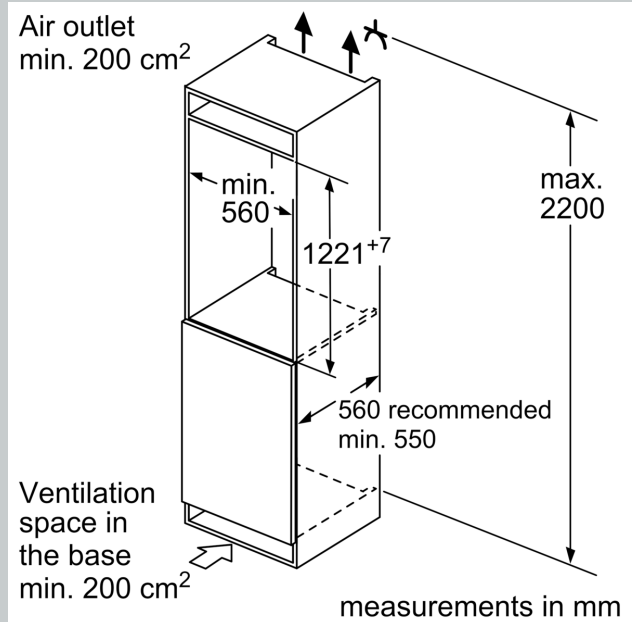
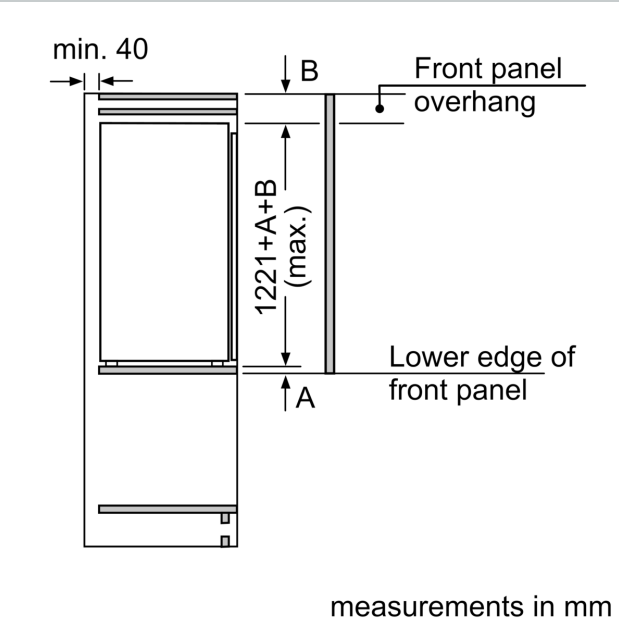
Fitted unit fronts that exceed the permissible weight may cause damage and result in functional impairment of the hinges

Δ Weight
A: Appliance door height including hinges in mm

B: Undamped hinge, unit front in kg
C: Damped hinge, unit front in kg

D: Additional possible load in kg with heavy load kit

	A	B	C	D
1500-1750	22	22	22	
720-1400	19	19	19	B+5 / C+5
A1	15	19		
A2	15	19		



measurements in mm
Recommended gap dimensions for flat hinges

	F	R	X
16-19	0-3	2.5	
	20	0-1	3
21	2-3	2.5	
	21	0-1	3
22	2-3	2.5	
	22	0	4
		1	3.5
	2-3	3	

The gap dimensions recommended in the table must be adhered to in order to ensure that appliance doors do not collide with anything when they are opened, and to avoid causing damage to kitchen units.