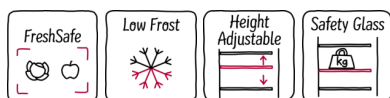


N 50, built-in fridge-freezer with freezer at bottom, 177.2 x
54.1 cm
KI5852S30G



This built-in combination refrigerator/freezer is the perfect place to store fruit and vegetables with very low energy consumption.

- ✓ FreshSafe: Stores your fruit and vegetables safely
- ✓ LowFrost: Reduces frost in the freezer compartment for faster defrosting.
- ✓ Adjustable Glass Shelves – Height adjustable shelves create the space you need for inspiring dishes in your fridge
- ✓ Our safety glass shelves happily shoulder generous loads of delicacies in your fridge
- ✓ Vario Zone – Individualize your drawers with various loading options to create the optimal fit for frozen goodies

Features

Technical Data

Built-in / Free-standing : Built-in
 Door panel options : Not possible
 Width of the appliance : 541
 Depth (mm) : 545
 Required niche size for installation (HxWxD) : 1775.0 x 560 x 550
 Net weight (kg) : 64.325
 Connection Rating (W) : 90
 Current (A) : 13
 Door hinge : Right reversible
 Voltage (V) : 220-240
 Frequency (Hz) : 50
 Approval certificates : CE, VDE
 Length electrical supply cord (cm) : 230
 Storage Period in Event of Power Failure (h) : 24
 Number of compressors : 1
 Number of independent cooling systems : 1
 Interior ventilator : No
 Reversible Door Hinge : Yes
 Number of Adjustable Shelves in fridge compartment : 3
 Shelves for Bottles : No
 EAN code : 4242004189244
 Brand : Neff
 Product name / Commercial code : KI5852S30G
 Energy efficiency rating : A++
 Energy consumption annual (kWh/annum) - NEW (2010/30/EC) : 239.00
 Refrigerator Net capacity (l) - NEW (2010/30/EC) : 157
 Freezer Net capacity (l) - NEW (2010/30/EC) : 102
 Frost free system : No
 Freezing capacity (kg/24h) - NEW (2010/30/EC) : 4
 Climate class : SN-T
 Noise level (dB(A) re 1 pW) : 38
 Installation typology : Full-integrated



4 242004 189244

*N 50, built-in fridge-freezer with freezer at bottom,
177.2 x 54.1 cm
KI5852S30G*

Features

Performance and Consumption

- Energy Efficiency Class: A++
- Energy Efficiency Class: A++ kWh/yr: 0.653 kWh
- Total net capacity: 259 litres
- Net fridge capacity: 157 litres
- Net freezer capacity: 102 litres
- Noise level dB(A) re 1 pW: 38
- Climate class SN-T (suitable for ambient temperatures between 10 to 43°C)

Design features

- Electronic control (LED chain)
- Manual defrost freezer
- Right hinged door, reversible
- Removable magnetic door seals - easy to clean

Food freshness system

- vitaControl - constant temperature by intelligent sensor technology - Constant temperature control by intelligent sensor technology
- Single cooling circuit

Key features - Fridge section

- 4 door bins
- Automatic defrost fridge
- Bright interior LED fridge light
- 4 safety glass shelves in fridge compartment of which 3 are height adjustable
- 1 FreshSafe drawer- The ideal place to store your fruit and vegetables safely.
- 2 x cold accumulator, 2 x egg tray, 2 x ice cube tray

Key features - Freezer section

- Freezing capacity in 24 hours: 4.5 kg
- Maximum freezer storage time in power failure: 24 hours
- Removeable safety glass shelves in freezer
- 4 transparent freezer drawers, 1 bigbox
- **** freezer (-18°C and below)
- 4 star freezer rating
- 4 freezer drawers

Functions

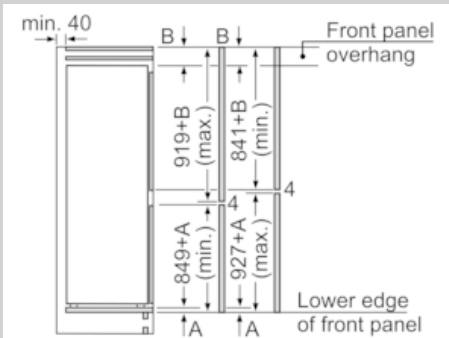
- SuperFreeze function with automatic deactivation

Dimension and installation

- Connection value 90 W
- Dimensions: 177.2 cm H x 54.1 cm W x 54.5 cm D
- Niche Dimensions: 177.5 cm H x 56 cm W x 55 cm D
- Based on the results of the standard 24-hour test. Actual consumption depends on usage/position of the appliance.

N 50, built-in fridge-freezer with freezer at bottom,
 177.2 x 54.1 cm
 KI5852S30G

Dimensioned drawings



The specified unit door dimensions are valid for a door gap of 4 mm.
 measurements in mm

