

N 30, BUILT-IN FRIDGE-FREEZER WITH FREEZER AT BOTTOM, 177.2 X 54.1 CM, SLIDING HINGE K15871SE0G



This Low Frost built-in fridge-freezer with Eco Air Flow ensures ideal air circulation in the entire fridge.

- ✓ Fresh Safe – Fridge drawer for dedicated fresh fruit and veg storage.
- ✓ Eco Air Flow – Even air circulation for constant temperatures and fast cooling.
- ✓ Our safety glass shelves happily shoulder generous loads of delicacies in your fridge
- ✓ LED Light – Pleasant illumination for the entire fridge, with long-life LEDs.

Features

Technical Data

Energy Efficiency Class ¹ :	E
Average annual energy consumption in kilowatt hour per year (kWh/a):	216 kWh/annum
Sum of volume of frozen compartments:	70 l
Sum of volume of chill compartments:	200 l
Airborne acoustical noise emissions :	35 dB(A) re 1pW
Airborne acoustical noise emission class:	B
Built-in / Free-standing:	Built-in
Door panel options:	Not possible
Height:	1772 mm
Width of the appliance:	541 mm
Depth:	548 mm
Required niche size for installation (HxWxD): ...	1775x560x550 mm
Net weight:	51.4 kg
EAN code:	4242004275695
Fuse protection:	10 A
Door hinge:	Right reversible
Voltage:	220-240 V
Frequency:	50 Hz
Length electrical supply cord:	230 cm
Number of compressors:	1
Number of independent cooling systems:	1
Interior ventilator:	No
Reversible Door Hinge:	Yes
Number of Adjustable Shelves in fridge compartment:	4
Shelves for Bottles:	No
No Frost free system:	Not applicable
Installation typology:	Full-integrated

Optional accessories

GS6B0BZ0	Box-in-Freezer-Box
KS6B0RZ0	Bottle Rack
KS9E0FZ0	Package Neff FlexCooling
KSGG0MZ0	Butter box



¹ Scale of Energy Efficiency Classes from A to G

N 30, BUILT-IN FRIDGE-FREEZER WITH FREEZER
AT BOTTOM, 177.2 X 54.1 CM, SLIDING HINGE
KI5871SE0G

Features

- easy Installation

Performance and Consumption

- EU19_EEK_D: E
- Total Volume : 270 l
- Annual Energy Consumption: 216 kWh/a
- EU19_Fast freezer facility_D: yes
- Noise Level : 35 dB

Functions

- Bright interior LED fridge light

Design features

- Electronic control (LED chain)
- SuperCool function with automatic deactivation
- SuperFreeze functions with automatic deactivation
- Acoustic door open warning indicator

Design features

- Net Fridge Volume : 200 l
- 5 safety glass shelves in fridge compartment of which 4 are height adjustable
- 4 door bins

Freshness System

- 1 FreshSafe drawer- The ideal place to store your fruit and vegetables safely.

Food freshness system

- Net Freezer Volume : 70 l
- Freezing capacity 24h : 3.2 kg
- Temperature rise time : EU19_Temperature rise time_D: 12 H
- 2 transparent freezer drawers, 1 bigbox

Dimension and installation

- Dimensions: 177.2 cm H x 54.1 cm W x 54.8 cm D
- Niche Dimensions: 177.5 cm H x 56 cm W x 55 cm D

Key features - Fridge section

- Right hinged door, reversible
- 220 - 240 V
- Climate Class: SN-ST
- Length of power cord: 230 cm

Key features - Freezer section

- 2 x ice cube tray

Country Specific Options

- Based on the results of the standard 24-hour test. Actual consumption depends on usage/position of the appliance.

Design features

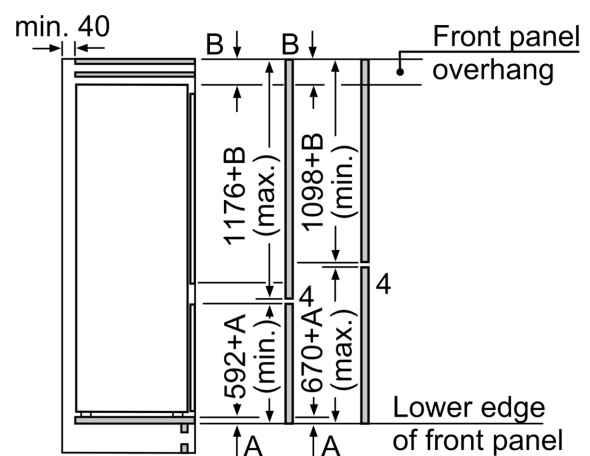
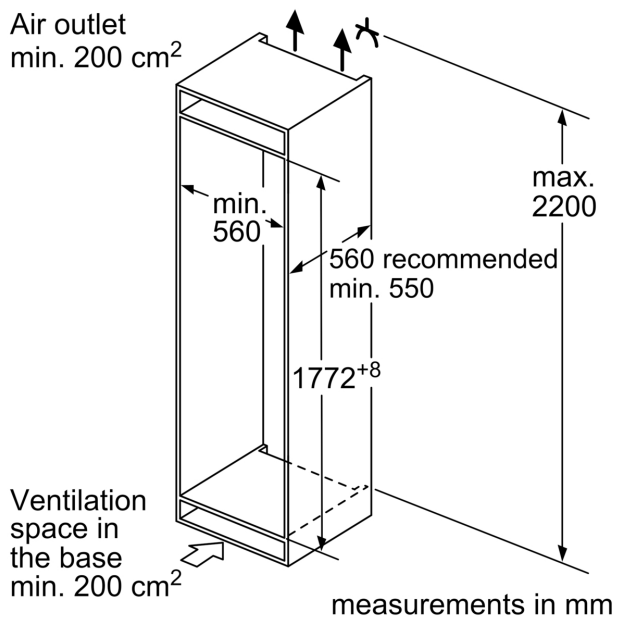
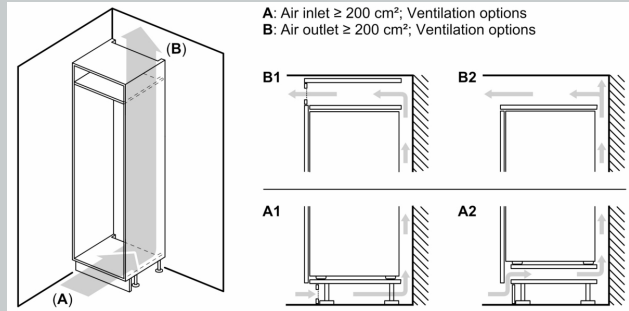
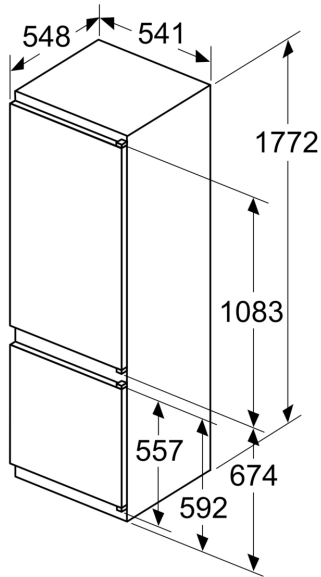
Dimension and installation

Additional features

N 30, BUILT-IN FRIDGE-FREEZER WITH FREEZER AT BOTTOM, 177.2 X 54.1 CM, SLIDING HINGE
KI5871SE0G

Dimensioned drawings

measurements in mm



The specified unit door dimensions are valid for a door gap of 4 mm.

measurements in mm