

N 50, built-in fridge-freezer with freezer at bottom, 177.2 x 54.1 cm, sliding hinge
K17862SF0G



This built-in combination refrigerator/freezer is the perfect place to store fruit and vegetables with very low energy consumption.

- ✓ Fresh Safe – Fridge drawer for flexible storage of your fresh fruit and vegetables.
- ✓ No Frost – No more defrosting your freezer.
- ✓ Adjustable Glass Shelves – Height adjustable shelves create the space you need for inspiring dishes in your fridge
- ✓ Our safety glass shelves happily shoulder generous loads of delicacies in your fridge
- ✓ Vario Zone – Individualize your drawers with various loading options to create the optimal fit for frozen goodies

Features

Technical Data

Energy Efficiency Class : F
 Average annual energy consumption in kilowatt hour per year (kWh/a) : 277 kWh/annum
 Sum of volume of frozen compartments : 67 l
 Sum of volume of chill compartments : 187 l
 Airborne acoustical noise emissions : 39 dB(A) re 1 pW
 Airborne acoustical noise emission class : C
 Built-in / Free-standing : Built-in
 Door panel options : Not possible
 Width of the appliance : 541 mm
 Depth : 545 mm
 Required niche size for installation (HxWxD) : 1775.0 x 560 x 550 mm
 Net weight : 60.1 kg
 Connection Rating : 90 W
 Fuse protection : 13 A
 Door hinge : Right reversible
 Voltage : 220-240 V
 Frequency : 50 Hz
 Approval certificates : CE, VDE
 Length electrical supply cord : 230 cm
 Storage Period in Event of Power Failure (h) : 8 h
 Number of compressors : 1
 Number of independent cooling systems : 1
 Interior ventilator : Yes
 Reversible Door Hinge : Yes
 Number of Adjustable Shelves in fridge compartment : 3
 Shelves for Bottles : No
 Frost free system : Freezer
 Installation typology : Full-integrated
 Type of hinge : Follow-door



*N 50, built-in fridge-freezer with freezer at bottom,
177.2 x 54.1 cm, sliding hinge
KI7862SFOG*

Features

- noFrost freezer, Built-in fridge/freezer
- Easy Installation

Functions

- Bright interior LED fridge light

Design features

- LED Electronic control
- vitaControl - constant temperature by intelligent sensor technology - Constant temperature control by intelligent sensor technology
- Single cooling circuit

Design features

- 4 safety glass shelves in fridge compartment of which 3 are height adjustable
- 4 door bins

Freshness System

- 1 FreshSafe drawer- The ideal place to store your fruit and vegetables safely.

Food freshness system

- noFrost freezer, never have to defrost ever again
- Removeable safety glass shelves in freezer
- 3 transparent freezer drawers, 1 bigbox

Dimension and installation

- Dimensions: 177.2 cm H x 54.1 cm W x 54.5 cm D
- Niche Dimensions: 177.5 cm H x 56 cm W x 55 cm D

Key features - Fridge section

- Right hinged door, reversible
- Connection value 90 W
- 220 - 240 V

Key features - Freezer section

- 2 x egg tray, 2 x ice cube tray
- bottle holder in door tray

Country Specific Options

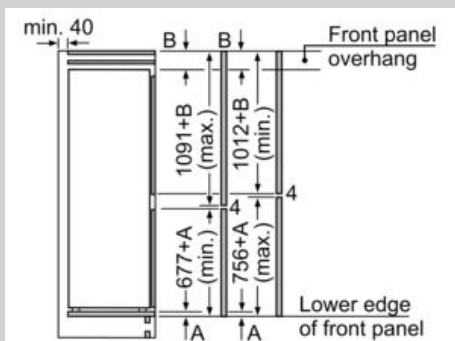
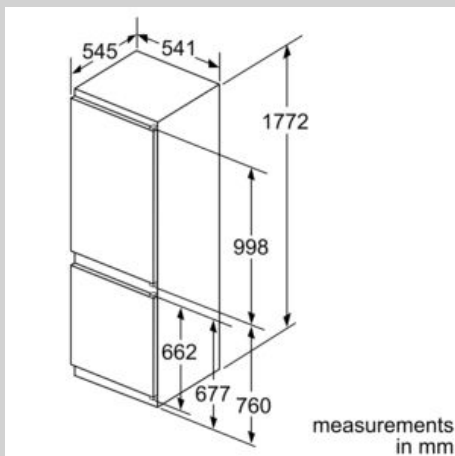
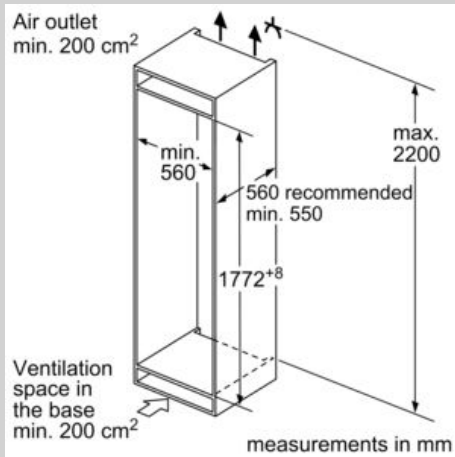
- Based on the results of the standard 24-hour test. Actual consumption depends on usage/position of the appliance.

Performance and Consumption

- EU19_EEK_D: F
- Total Volume : 254 l
- Net Fridge Volume : 187 l
- Net Freezer Volume : 67 l
- Freezing capacity 24h : 6 kg
- Annual Energy Consumption: 277 kWh/a
- Climate Class: SN-ST
- Noise Level : 39 dB
- Temperature rise time : EU19_Temperature rise time_D: 8.5 H

N 50, built-in fridge-freezer with freezer at bottom,
 177.2 x 54.1 cm, sliding hinge
 KI7862SFOG

Dimensioned drawings



The specified unit door dimensions
 are valid for a door gap of 4 mm.

measurements in mm