

N 70, BUILT-IN FRIDGE-FREEZER WITH FREEZER AT BOTTOM, 177.2 X 55.8 CM, SOFT CLOSE FLAT HINGE
K17863DD0G



This No Frost built-in fridge-freezer with Fresh Safe keeps food fresh, ensures ideal air circulation in the fridge. Additional illumination of the freezer area keeps your frozen delicacies in a perfect view.

- ✓ No Frost – No more defrosting your freezer.
- ✓ Bottle Flex Shelf – A bottle holder and shelf in one.
- ✓ Eco Air Flow – Even air circulation for constant temperatures and fast cooling.
- ✓ Soft Close – Enjoy the silence. The door softly closes itself when at an angle of 20 degrees.
- ✓ Adjustable Glass Shelves – Height adjustable shelves create the space you need for inspiring dishes in your fridge

Features

Technical Data

Energy Efficiency Class ¹ :	D
Average annual energy consumption in kilowatt hour per year (kWh/a):	186 kWh/annum
Sum of volume of frozen compartments:	76 l
Sum of volume of chill compartments:	184 l
Airborne acoustical noise emissions :	35 dB(A) re 1pW
Airborne acoustical noise emission class:	B
Built-in / Free-standing:	Built-in
Door panel options:	Not possible
Height:	1772 mm
Width of the appliance:	558 mm
Depth:	548 mm
Required niche size for installation (HxWxD): ...	1775x560x550 mm
Net weight:	58.3 kg
EAN code:	4242004268932
Fuse protection:	10 A
Door hinge:	Right reversible
Voltage:	220-240 V
Frequency:	50 Hz
Length electrical supply cord:	230 cm
Number of compressors:	1
Number of independent cooling systems:	2
Interior ventilator:	No
Reversible Door Hinge:	Yes
Number of Adjustable Shelves in fridge compartment:	1
Shelves for Bottles:	No
Frost free system:	Fridge and freezer
Installation typology:	Full-integrated



¹ Scale of Energy Efficiency Classes from A to G

*N 70, BUILT-IN FRIDGE-FREEZER WITH FREEZER
AT BOTTOM, 177.2 X 55.8 CM, SOFT CLOSE FLAT
HINGE
K17863DDOG*

Features

- easy Installation

Performance and Consumption

- EU19_EEK_D: D
- Total Volume : 260 l
- Net Fridge Volume : 184 l
- Net Freezer Volume : 76 l
- Freezing capacity 24h : 8 kg
- Annual Energy Consumption: 186 kWh/a
- Climate Class: SN-ST
- EU19_Fast freezer facility_D: yes
- Noise Level : 35 dB
- Temperature rise time : EU19_Temperature rise time_D: 11 H

Functions

- Bright interior LED fridge light

Design features

- noFrost freezer, never have to defrost ever again
- Two separate cooling circuits allow independent temperature control and prevents the transference of humidity between the fridge and freezer cavity
- Twin LED electronic control panel
- SuperCool function with automatic deactivation

Design features

- 3 safety glass shelves in fridge compartment of which 1 are height adjustable
- 1 removable door storage compartments.
- 3 door bins
- BottleFlex Shelf
- Flex Cooling

Freshness System

- 1 FreshSafe drawer with humidity control retains freshness for longer.

Food freshness system

- 3 freezer drawers
- SuperFreeze functions with automatic deactivation
- optical and acoustical

Dimension and installation

- Dimensions: 177.2 cm H x 55.8 cm W x 54.8 cm D
- Niche Dimensions: 177.5 cm H x 56 cm W x 55 cm D

Key features - Fridge section

- Length of power cord: 230 cm
- 220 - 240 V

Key features - Freezer section

- 2 x ice cube tray

Country Specific Options

- Based on the results of the standard 24-hour test. Actual

consumption depends on usage/position of the appliance.

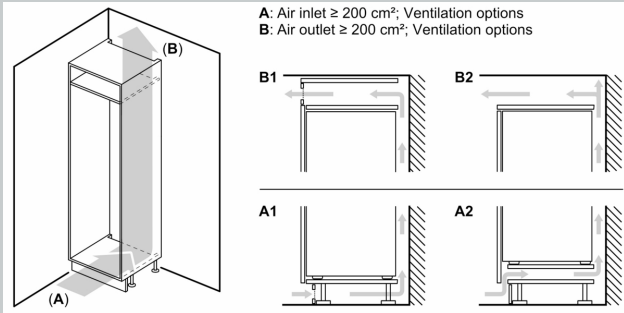
Design features

Dimension and installation

Additional features

N 70, BUILT-IN FRIDGE-FREEZER WITH FREEZER AT BOTTOM, 177.2 X 55.8 CM, SOFT CLOSE FLAT HINGE
K17863DD0G

Dimensioned drawings



Maximal permissible weight of the unit fronts

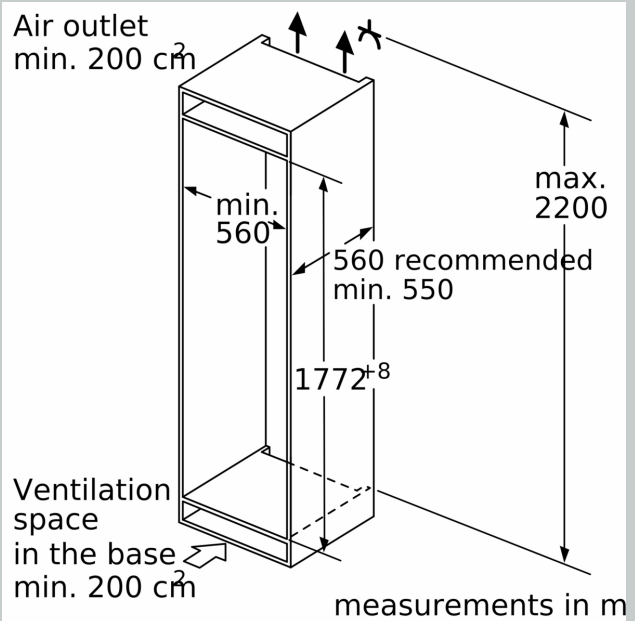
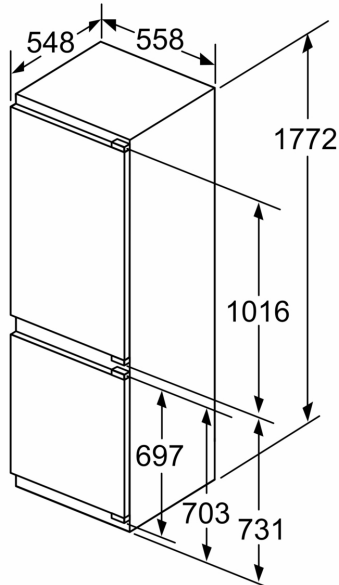
Fitted unit fronts that exceed the permissible weight may cause damage and result in functional impairment of the hinges

Δ Weight
A: Appliance door height including hinges in mm

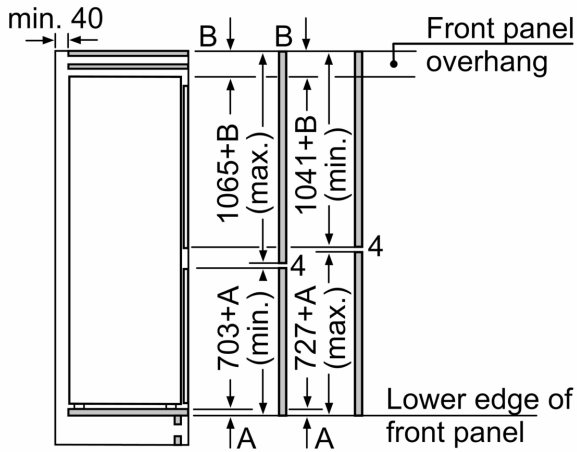
B: Undamped hinge, unit front in kg
C: Damped hinge, unit front in kg
D: Additional possible load in kg with heavy load kit

A	B	C	D
1500-1750	22	22	B+5 / C+5
720-1400	19	19	
A1	15	19	
A2	15	19	

Measurements in mm

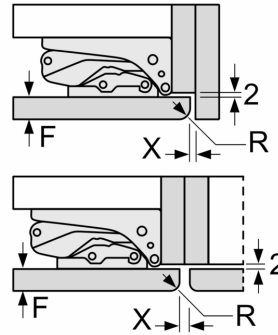


Dimensioned drawings



The specified unit door dimensions are valid for a door gap of 4 mm.
 measurements in mm

measurements in mm
 Recommended gap dimensions for flat hinges



F	R	X
16-19	0-3	2.5
20	0-1	3
	2-3	2.5
21	0-1	3
	2-3	2.5
22	0	4
	1	3.5
	2-3	3

The gap dimensions recommended in the table must be adhered to in order to ensure that appliance doors do not collide with anything when they are opened, and to avoid causing damage to kitchen units.