

N 90, BUILT-IN FRIDGE, 177.5 X 56 CM, SOFT CLOSE  
 FLAT HINGE  
 K18816DE0



The built-in fridge with FreshSafe 3 and BottleFlex Shelf keeps food fresher for longer and offers a lot of extra storage options.

- ✓ Fresh Safe 3 – Climate-controlled drawers for optimal fresh food storage.
- ✓ Easy Access Shelf – Slides out for easier access to items in your fridge.
- ✓ Vario Shelf – The glass shelf that can be divided, with one half stored beneath the other, for flexible configurations.
- ✓ Adjustable Glass Shelves – Height adjustable shelves create the space you need for inspiring dishes in your fridge
- ✓ Our safety glass shelves happily shoulder generous loads of delicacies in your fridge

### Features

#### Technical Data

Energy Efficiency Class: .....E  
 Average annual energy consumption in kilowatt hour per year (kWh/a): ..... 150 kWh/annum  
 Sum of volume of frozen compartments: ..... 0 l  
 Sum of volume of chill compartments: .....289 l  
 Airborne acoustical noise emissions : ..... 37 dB(A) re 1 pW  
 Airborne acoustical noise emission class: ..... C  
 Built-in / Free-standing: ..... Built-in  
 Door panel options: ..... Not possible  
 Height: ..... 1772 mm  
 Width of the appliance: .....558 mm  
 Depth: ..... 545 mm  
 Min. required niche size for installation (HxWxD): .. 1775.0 x 560 x 550 mm  
 Net weight: ..... 69.9 kg  
 Connection Rating: ..... 90 W  
 Fuse protection: .....10 A  
 Door hinge: .....Right reversible  
 Voltage: .....220-240 V  
 Frequency: .....50 Hz  
 Length electrical supply cord: ..... 230.0 cm  
 Number of compressors: .....1  
 Number of independent cooling systems: ..... 1  
 Interior ventilator: ..... No  
 Reversible Door Hinge: ..... Yes  
 Number of Adjustable Shelves in fridge compartment: ..... 5  
 Shelves for Bottles: ..... No  
 EAN code: .....4242004247661  
 Brand: .....Neff  
 Product name / Commercial code: .....K18816DE0  
 Product category: .....Refrigerator  
 Frost free system: .....No  
 Installation typology: ..... Full-integrated  
 Included accessories: ..... 2 x egg tray, 1 x bottle holder in door tray

#### Included accessories

2 x egg tray, 1 x bottle holder in door tray

#### Optional accessories

KS0B0SZ0	Heavy-duty hinge support
KS1860Z0	Wire Shelf
KS9E0FZ0	Package Neff FlexCooling
KSGG0MZ0	Butter box



*N 90, BUILT-IN FRIDGE, 177.5 X 56 CM, SOFT CLOSE  
FLAT HINGE  
KI8816DE0*

## Features

### Functions

- LED with Soft Start
- Interior design with metal applications

### Design features

- LED Electronic control
- Automatic defrost fridge
- SuperCool function with automatic deactivation
- Acoustic door open warning indicator

### Design features

- 7 safety glass shelves of which Non-adjustable bottom shelf, Easy Access shelf
- BottleFlex Shelf
- 5 door trays, including 1x dairy compartment

### Freshness System

- Capacity in 0° C section: 83 l
- 1 FreshSafe 3 0°C drawer with humidity control for optimal freshness; food stays fresh for longer due to two climate zones.
- 2 FreshSafe 3 0°C drawers for optimal freshness; food stays fresh for longer due to two climate zones.

### Dimension and installation

- Dimensions: 177.2 cm H x 55.8 cm W x 54.5 cm D
- Niche Dimensions: 177.5 cm H x 56 cm W x 55 cm D

### Key features - Fridge section

- Right hinged door, reversible
- Connection value 90 W
- 220 - 240 V

### Key features - Freezer section

- 2 x egg tray, 1 x bottle holder in door tray

### Included accessories

- KS0B0SZ0, KS1860Z0, KS9E0FZ0, KSGG0MZ0

### Country Specific Options

- Based on the results of the standard 24-hour test. Actual consumption depends on usage/position of the appliance.

### Design features

### Dimension and installation

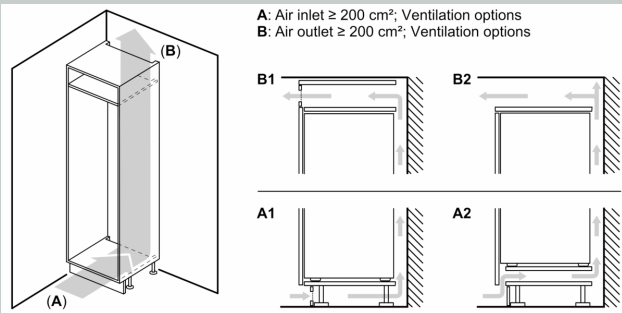
### Additional features

### Performance and Consumption

- EU19\_EEK\_D: E
- Total Volume : 289 l
- Net Fridge Volume : 289 l
- Net Freezer Volume : 0 l
- Annual Energy Consumption: 150 kWh/a
- Climate Class: SN-ST
- Noise Level : 37 dB

N 90, BUILT-IN FRIDGE, 177.5 X 56 CM, SOFT CLOSE  
 FLAT HINGE  
 KI8816DE0

Dimensioned drawings

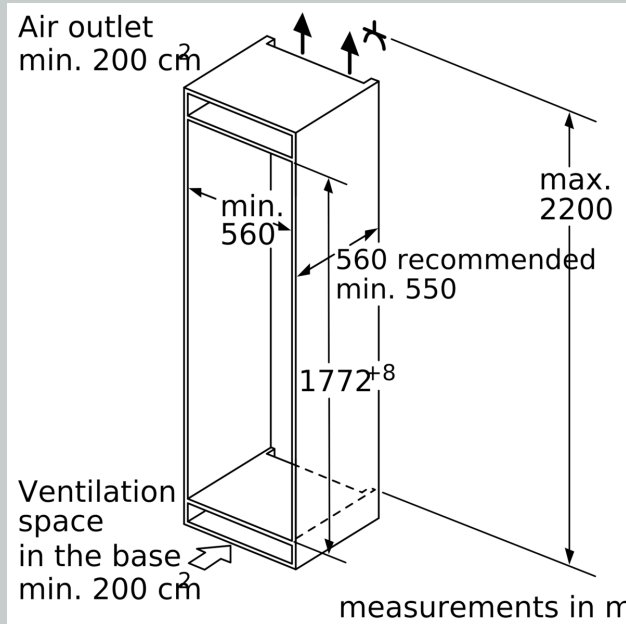
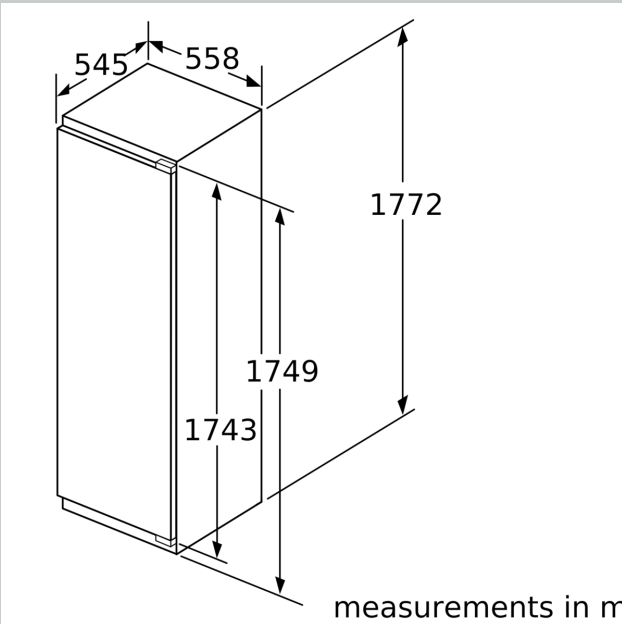


**Maximal permissible weight of the unit fronts**

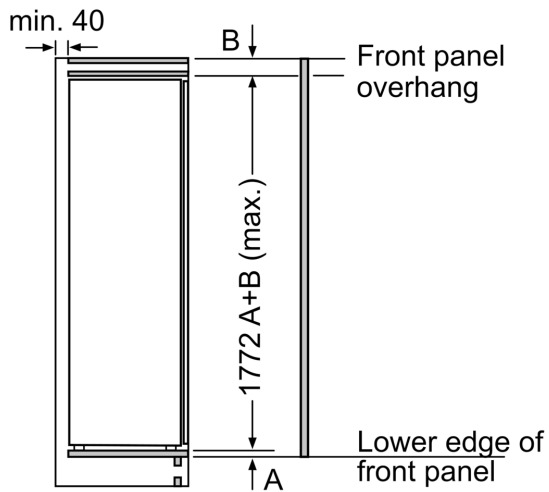
Fitted unit fronts that exceed the permissible weight may cause damage and result in functional impairment of the hinges

$\Delta$  Weight  
 A: Appliance door height including hinges in mm  
 B: Undamped hinge, unit front in kg  
 C: Damped hinge, unit front in kg  
 D: Additional possible load in kg with heavy load kit

A	B	C	D
1500-1750	22	22	B+5 / C+5
720-1400	19	19	
A1	15	19	
A2	15	19	

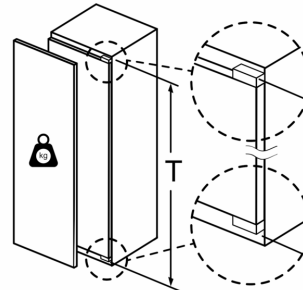


## Dimensioned drawings



measurements in mm

## Maximal permissible weight of the unit fronts

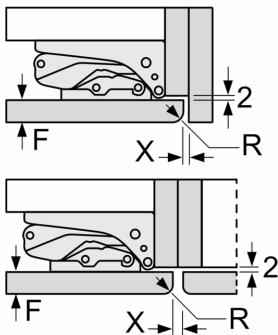


Fitted kitchen unit doors that exceed the permissible weight may cause damage and result in functional impairment of the hinges.

T: Includes height of appliance door Hinges in mm:	undamped hinge, Door in kg:	damped hinge, Door in kg:
1500-1750	22	22

measurements in mm

## Recommended gap dimensions for flat hinges



F	R	X
16-19	0-3	2.5
20	0-1	3
	2-3	2.5
21	0-1	3
	2-3	2.5
22	0	4
	1	3.5
	2-3	3

The gap dimensions recommended in the table must be adhered to in order to ensure that appliance doors do not collide with anything when they are opened, and to avoid causing damage to kitchen units.