

*N 70, WARMING DRAWER, 60 X 14 CM, STAINLESS  
STEEL  
N17HH11NOB*



Optional accessories

Z11SZ00X0	SeamlessCombination mounting kit
Z11SZ60X0	SeamlessCombination 45 + 14cm

A 14cm high warming drawer that can link with a 45cm compact oven to fit perfectly into the 60cm oven niche

Features

Technical Data

Built-in / Free-standing: .....	Built-in
Maximum number of plates: .....	12
Maximum number of espresso cups: .....	64
Dimensions: .....	140 x 596 x 548 mm
Dimensions of the packed product (HxWxD): .	210 x 660 x 660 mm
Min. required niche size for installation (HxWxD): .	140 x 560 x 550 mm
EAN code: .....	4242004184614
Fuse protection: .....	10 A
Voltage: .....	220-240 V
Frequency: .....	60; 50 Hz
Plug type: .....	GB plug



N 70, WARMING DRAWER, 60 X 14 CM, STAINLESS  
STEEL  
N17HH11NOB

#### Features

##### Design

- Can accommodate up to:
  - -12 plates
  - -64 espresso cups
- Temperature control in 4 levels: ca. 30°C - 80°C (glass surface temperature)
- Easy to clean toughened glass heating plate
- Bevelled oval controls
- Bar handle

##### Programmes/functions

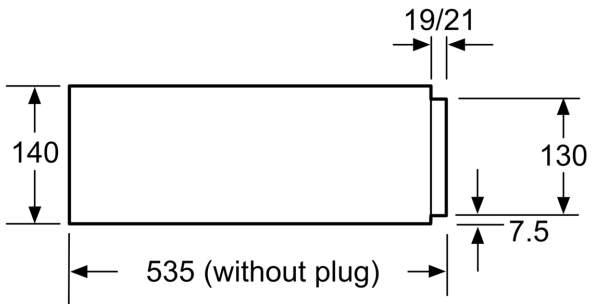
- 5 functions: dough proving thawing of delicate foods keeping drinks and food warm pre-warming of crockery gentle cooking

##### Technical information

- Cavity volume: 20 l
- Total connected load electric: 0.81 KW
- Nominal voltage: 220 - 240 V
- Loading up to 25 kg
- 150 cm Cable Cable length
- Appliance dimension (hxwxh): 140 mm x 596 mm x 548 mm
- Niche dimension (hxwxh): 140 mm x 560 mm - 568 mm x 550 mm
- Please refer to the dimensions provided in the installation manual

N 70, WARMING DRAWER, 60 X 14 CM, STAINLESS  
STEEL  
N17HH11NOB

Dimensioned drawings



Compact ovens with an appliance height of 455 mm can be installed above a warming drawer. An intermediate floor is not required.

measurements in mm