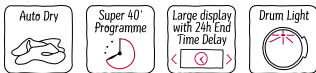


CONDENSER TUMBLE DRYER, 9 KG  
R8580X3GB



B



Condenser dryer with large LED display and short drying times.

- ✓ Auto Dry – Prevents shrinkage and dries clothes the way you want.
- ✓ Super 40' Programme – Dries non-sensitive laundry in just 40 minutes
- ✓ Large LED Display – Large display for easier navigation and wash programme delay for up to 24 hours
- ✓ Drum Light – Bright LED light in the drum makes unloading your laundry even easier, without overlooking a single sock
- ✓ Anti-Vibration Design – Absorbs most vibrations and reduces noise.

Features

Technical Data

Built-in / Free-standing: ..... Free-standing  
 Removable top: ..... No  
 Door hinge: ..... Right  
 Length electrical supply cord: ..... 179.5 cm  
 Dimensions: ..... 842 x 598 x 613 mm  
 Net weight: ..... 41.5 kg  
 EAN code: ..... 4242004221463  
 Connection Rating: ..... 2600 W  
 Fuse protection: ..... 13 A  
 Voltage: ..... 220-240 V  
 Frequency: ..... 50 Hz  
 Capacity cotton - NEW (2010/30/EC): ..... 9.0 kg  
 Energy efficiency rating: ..... B  
 Energy consumption electric dryer, full load - NEW (2010/30/EC):  
 5.23 kWh  
 Standard cotton programme time at full load: ..... 150 min  
 Energy consumption electric dryer, partial load - NEW  
 (2010/30/EC): ..... 2.77 kWh  
 Standard cotton programme time at partial load: ..... 80 min  
 Weighted annual energy consumption, electric dryer - NEW  
 (2010/30/EC): ..... 616.0 kWh/annum  
 Weighted programme time: ..... 110 min  
 Average condensation efficiency full load (%): ..... 88 %  
 Average condensation efficiency partial load (%): ..... 88 %  
 Weighted condensation efficiency (%): ..... 88 %



Optional accessories

WTZ11400	Stacking kit with pull-out shelf
WTZ20410	Stacking kit
WTZPW20D	Platform with pull-out, dryer, cubic

## CONDENSER TUMBLE DRYER, 9 KG R8580X3GB

### Features

#### Performance

##### Programmes/functions

- Special programmes: Woollens, Mixed load, Timed programme warm, Timed programme cold, Allergy +, Sportswear, Down wear, Rapid 40, Shirts 15
- Touch control buttons: Low Heat, Buzzer, Reduced ironing, Programme length, Start/Pause, Fine-tuning of drying level, 24 hours Time Delay, Reduced ironing, Fine-tuning of drying level, Low Heat, Programme length, ours Time Delay, Buzzer, Start/Pause

##### Key features

- Sensitive drying: large Stainless steel drum and revolution drying system
- AntiVibration design: for greater stability and quietness

##### Additional features

- Large LED display for remaining time and 24 hours time delay, programme progress indication and special functions
- Metal soft dial
- DUO-Tronic drying system
- Anti crease cycle 120 min at the end of the programme
- Drum interior light
- Child safety lock
- Buzzer to indicate the end of cycle
- Door hinge: right-hand
- Container for condensed water

##### Technical Information

- Dimensions (H x W x D): 84.2 x 59.8 x Appliance depth: 66.5 cm
- Slide-under
- Glass door,, silver-black grey
- AU
- Energy Efficiency Class<sup>1</sup>: B
- Energy<sup>2</sup>: 616 kWh
- Capacity: 1 - 9 kg
- Programme time<sup>3</sup>: 150 min
- Noise level: 65 dB (A) re 1 pW
- Condensation efficiency class<sup>4</sup>: B
- Condensation efficiency<sup>5</sup>: 88 %

<sup>1</sup> At a range of energy efficiency classes from A+++ to D

<sup>2</sup> Energy consumption kWh per year, based on 160 drying cycles of the standard cotton programme at full and partial load, and the consumption of the low power modes

<sup>3</sup> Programme time of the standard cotton programme at full load

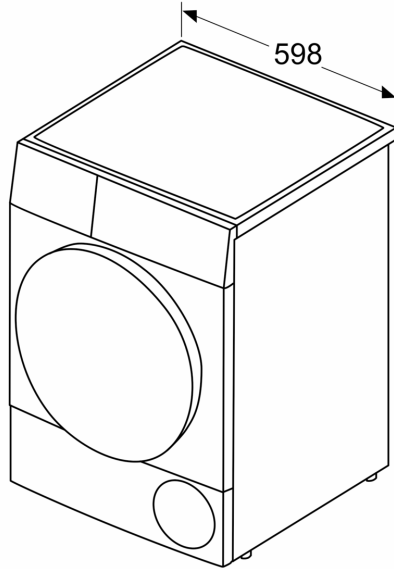
<sup>4</sup> On a condensation efficiency class scale from A to G

<sup>5</sup> Weighted condensation efficiency for the standard cotton programme at full and partial load

CONDENSER TUMBLE DRYER, 9 KG  
R8580X3GB

Dimensioned drawings

Measurements in mm



Measurements in mm

