

N 50, FULLY-INTEGRATED DISHWASHER, 60 CM  
S155HVX00G



The flexible dishwasher with Flex Cutlery Drawer indicates when it's running.

- ✓ Flex II Baskets – Adaptable elements and a versatile Flex Cutlery Drawer for even greater loading flexibility
- ✓ Extra Dry: for difficult-to-dry loads select the extra drying option
- ✓ Info Light – A light projected onto the floor shows you that the dishwasher is in operation.
- ✓ Chef 70°C – The pro programme that vanishes stubborn residues.
- ✓ Home Connect– Add your dishwasher to your home network and enjoy the infinite possibilities of connected services

### Features

#### Technical Data

Energy Efficiency Class <sup>1</sup> : .....	D
Energy Consumption for 100 cycles Eco Programme <sup>2</sup> : 85 kWh/100 cycles	
Maximum number of place settings: .....	14
The water consumption of the eco programme in liters per cycle: 9.0 l	
Programme duration <sup>3</sup> : .....	4:30 h
Airborne acoustical noise emissions : .....	46 dB(A) re 1pW
Airborne acoustical noise emission class: .....	C
Built-in / Free-standing: .....	Built-in
Height of removable worktop: .....	0 mm
Required niche size for installation (HxWxD): 815-875 x 600 x 550 mm	
Depth with open door 90 degree: .....	1150 mm
Adjustable feet: .....	Yes - all from front
Maximum adjustability feet: .....	60 mm
Adjustable plinth: .....	Both horizontal and vertical
Net weight: .....	34.0 kg
Gross weight: .....	36.0 kg
Connection Rating: .....	2400 W
Fuse protection: .....	10 A
Voltage: .....	220-240 V
Frequency: .....	50; 60 Hz
Maximum accepted water hardness: .....	50°DH
Length electrical supply cord: .....	175 cm
Plug type: .....	GB plug
Length inlet hose: .....	165 cm
Length outlet hose: .....	190 cm
EAN code: .....	4242004282112
Installation typology: .....	Full-integrated



### Optional accessories

Z7710X0	inlet and outlet hose extension
Z780BI02	decorative strips stainless steel 81,5cm
Z7863X0	Cutlery basket
Z788BI00	Connection rail for divided furniture

<sup>1</sup> Scale of Energy Efficiency Classes from A to G  
<sup>2</sup> Energy consumption in kWh per 100 cycles (in programme Eco 50 °C)  
<sup>3</sup> Duration of programme Eco 50 °C

## N 50, FULLY-INTEGRATED DISHWASHER, 60 CM S155HVX00G

### Features

#### Performance

- Energy Efficiency Class<sup>1</sup>: D
- Energy<sup>2</sup> / Water<sup>3</sup>: 85 kWh / 9 litres
- Capacity: 14 place settings
- Programme duration<sup>4</sup>: 4:30 (h:min)
- Noise level: 46 dB(A) re 1 pW
- Noise Efficiency Class: C

<sup>4</sup> Duration of programme Eco 50 °C

#### Programmes / functions

- 6 programmes: Eco 50 °C, Auto 45-65 °C, Chef 70 °C, Classic 60 °C, Glass 40 °C, Favourite
- Default favourite programme: Pre-Rinse
- 4 special options: Remote Start, Extra Dry, Power Zone, Extra Speed
- Add-On functions via Home Connect app: Extra Hygiene, Silence on Demand
- Easy Clean Programme

#### Flexible design elements

- Flex II baskets
- Flex 2 Drawer
- 3 stage Rackmatic height-adjustable top basket
- Low friction wheels on lower basket
- Rack Stopper to prevent derailing of bottom basket
- 2 foldable plate racks in top basket
- 4 foldable plate racks in bottom basket
- Upper rack cup shelf

#### Innovations and technology

- Home Connect - Wi Fi enabled, for dishwasher control
- Heat exchanger - Hygienic and efficient drying
- Aqua-Sensor
- DosageAssist detergent dispenser
- Efficient SilentDrive BLDC motor
- DetergentAware
- Neff Sparkle - glass care system

#### Design features

- Push button top controls
- InfoLight (Red) - Light projection on the floor
- Time delay (3, 6 or 24 hours)
- Acoustic end of cycle indicator
- Aqua Stop: Neff's warranty in case of water damage – throughout the lifetime of the appliance.\*
- Self-cleaning filter system with 3 piece corrugated filter
- incl. Steam protection for worktop
- Stainless steel/Polinox interior
- Dimensions (HxWxD): 81.5 x 59.8 x 55cm

<sup>1</sup> Scale of Energy Efficiency Classes from A to G

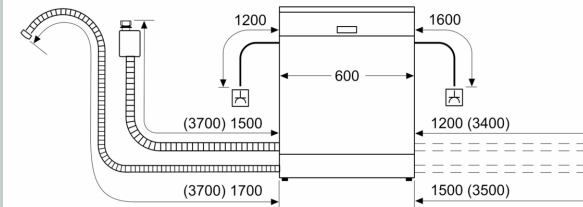
<sup>2</sup> Energy consumption in kWh per 100 cycles (in programme Eco 50 °C)

<sup>3</sup> Water consumption in litres per cycle (in programme Eco 50 °C)

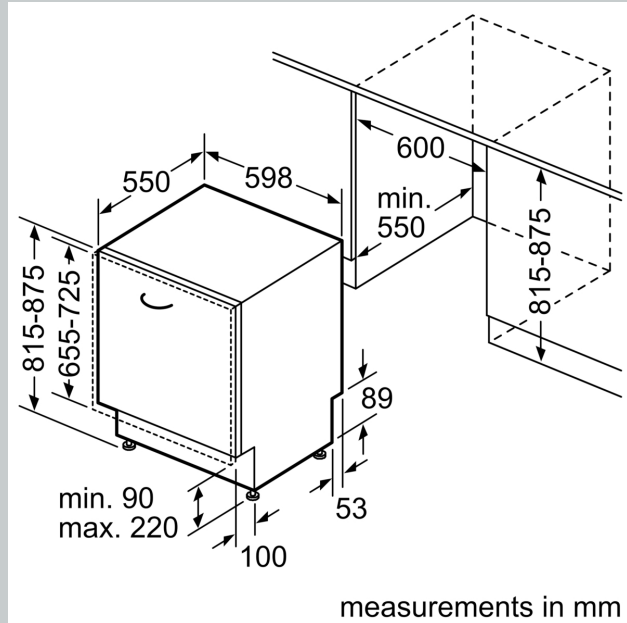
N 50, FULLY-INTEGRATED DISHWASHER, 60 CM  
S155HVX00G

Dimensioned drawings

measurements in mm



⚡ socket  
( ) values with extension kit



measurements in mm