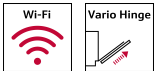


N 50, FULLY-INTEGRATED DISHWASHER, 45 CM,
VARIABLE HINGE FOR SPECIAL INSTALLATION
SITUATIONS
S875HKX20G



Z7710X0	inlet and outlet hose extention
Z780BI02	decorative strips stainless steel 81,5cm
Z7863X8	Wine glass holder
Z7871X0	Silver polishing cassette
Z788BI00	Connection rail for divided furniture

The practical dishwasher indicates when it's running, varioHinge provides solution for special built-in situations.

- ✓ Home Connect – Add your dishwasher to your home network and enjoy the infinite possibilities of connected services
- ✓ Vario Hinge – Install your dishwasher almost anywhere.
- ✓ Chef 70°C – The pro programme that vanishes stubborn residues.
- ✓ Extra Dry: for difficult-to-dry loads select the extra drying option
- ✓ Flex I Baskets – Foldable elements in the top and bottom baskets for practical loading

Energy Efficiency Class:	E
Energy Consumption for 100 cycles Eco Programme:	70 kWh
Maximum number of place settings:	9
The water consumption of the eco programme in liters per cycle:	8.5 l
Programme duration:	3:40 h
Airborne acoustical noise emissions :	46 dB(A) re 1 pW
Airborne acoustical noise emission class:	C
Built-in / Free-standing:	Built-in
Height of removable worktop:	0 mm
Dimensions of the product (HxWxD):	815 x 448 x 550 mm
Min. required niche size for installation (HxWxD):	815-875 x 450 x 550 mm
Depth with open door 90 degree:	1150 mm
Adjustable feet:	Yes - all from front
Maximum adjustability feet:	60 mm
Adjustable plinth:	Both horizontal and vertical
Net weight:	27.8 kg
Gross weight:	29.6 kg
Connection Rating:	2400 W
Fuse protection:	10 A
Voltage:	220-240 V
Frequency:	50; 60 Hz
Length electrical supply cord:	175.0 cm
Plug type:	GB plug
Length inlet hose:	165 cm
Length outlet hose:	205 cm
EAN code:	4242004247814
Installation typology:	Full-integrated



N 50, FULLY-INTEGRATED DISHWASHER, 45 CM,
VARIABLE HINGE FOR SPECIAL INSTALLATION
SITUATIONS
S875HKX20G

- VarioHinge 50mm

Performance

- Energy Efficiency Class¹: E
- Energy² / Water³: 70 kWh / 8.5 litres
- Capacity: 9 place settings
- Programme duration⁴: 3:40 (h:min)
- Noise level: 46 dB(A) re 1 pW
- Noise Efficiency Class: C

Programmes / functions

- 6 programmes: Eco 50 °C, Auto 45-65 °C, Chef 70 °C, Classic 60 °C, Glass 40 °C, Favourite
- Default favourite programme: Pre-Rinse
- 4 special options: Remote Start, Extra Dry, Power Zone, Extra Speed
- Easy Clean Programme
- Silence on Demand (via app)

Flexible design elements

- Flex 1 basket system
- Low friction wheels on lower basket
- Rack Stopper to prevent derailing of bottom basket
- Height adjustable top basket
- 2 foldable plate racks in bottom basket
- Knife rack in top basket
- Small variable cutlery basket in bottom basket
- Upper rack cup shelf

Innovations and technology

- Home Connect - Wi Fi enabled, for dishwasher control
- Heat exchanger.
- Efficient SilentDrive BLDC motor
- DosageAssist detergent dispenser
- DetergentAware
- Aqua-Sensor
- Neff Sparkle - glass care system

Design features

- Push button top controls
- DuoPower Spray Arm
- InfoLight (Red) - Light projection on the floor
- Time delay (3, 6 or 24 hours)
- Acoustic end of cycle indicator, remaining programme time indicator on top edge, water fault indicator
- Aqua Stop: Neff's warranty in case of water damage – throughout the lifetime of the appliance.*
- Self-cleaning filter system with 3 piece corrugated filter
- Large item spray head, steam protection plate
- Stainless steel interior
- Dimensions (HxWxD): 81.5 x 44.8 x 55cm

¹ Scale of Energy Efficiency Classes from A to G

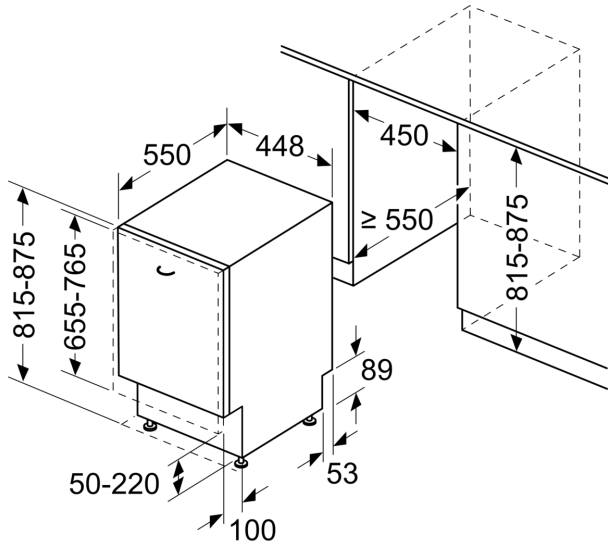
² Energy consumption in kWh per 100 cycles (in programme Eco 50 °C)

³ Water consumption in litres per cycle (in programme Eco 50 °C)

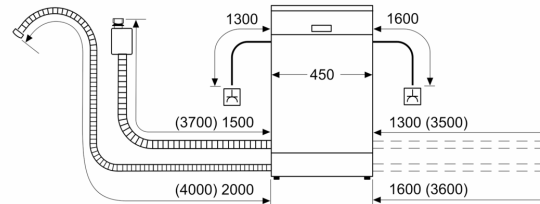
⁴ Duration of programme Eco 50 °C

N 50, FULLY-INTEGRATED DISHWASHER, 45 CM,
VARIABLE HINGE FOR SPECIAL INSTALLATION
SITUATIONS
S875HKX20G

measurements in mm



measurements in mm



⊕ socket
() values with extension kit