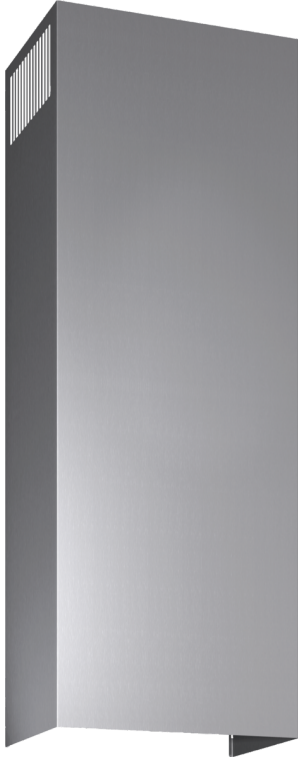


CHIMNEY EXTENSION, 1000 MM
Z5906N1



- ✓ Extension 1000 mm (telescopic part) for wall chimney hood
- ✓ Max. 420 mm extension of the appliance possible
- ✓ Suitable for ducted and re-circulated extraction
- ✓ Extension with recirculation slots

Features

Technical Data

Dimensions of the packed product (HxWxD): 390 x 520 x 1190 mm
Pallet dimensions: 175.0 x 80.0 x 120.0
Standard number of units per pallet: 6
Net weight: 4.4 kg
Gross weight: 9.7 kg
EAN code: 4242004143765



CHIMNEY EXTENSION, 1000 MM Z5906N1

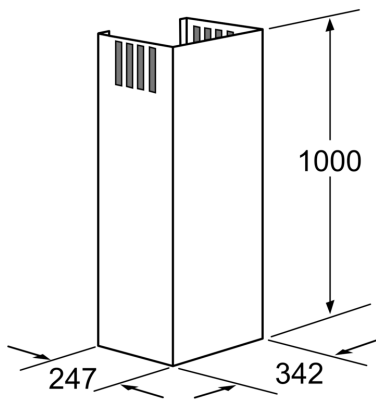
Features

Optional accessories

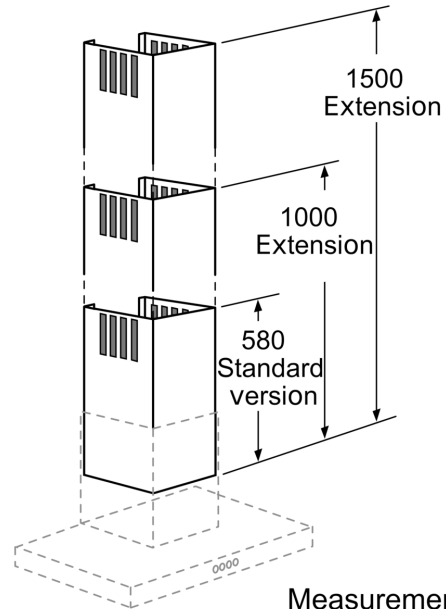
- Extension 1000 mm (telescopic part) for wall chimney hood
- Max. 420 mm extension of the appliance possible
- Suitable for ducted and re-circulated extraction
- Extension with recirculation slots

CHIMNEY EXTENSION, 1000 MM
Z5906N1

Dimensioned drawings



Measurements in mm



Measurements in mm