

N 90, BUILT-IN OVEN WITH STEAM FUNCTION, 60 X 60 CM, GRAPHITE-GREY
B48FT78G0



Z11AB15A0 Baking tray, non-stick ceramic coated, Z11AU15A0 Universal pan, non-stick ceramic coated, Z11CG10X0 Barbecue-Set, Z11GT10X3 Glass roasting dish, 5,4l, Z11GU20X0 Glasspan, Z11SZ00X0 SeamlessCombination mounting kit, Z11SZ90G0 SeamlessCombination 60 + 45cm, Z12CB10A0 Baking tray, enamelled, Z12CL10A0 Lid for professional pan, enamelled, Z12CM10A0 Moussaka pan, enamelled, Z12CN10A0 Professional pan, enamelled, Z12CP10A0 Pizza pan, enamelled, Z12CQ10A0 Grill tray, enamelled, Z12CU10A0 Multipurpose pan, enamelled, Z13CR10X0 Baking and roasting grid (steam), Z13CU30X0 Steam container, unpunched, size S, Z13CU31X0 Steam container, punched, size S, Z13CV05S0 Cover Strip, Z13CX62X0 Vacuum bags 180 x 280 mm, 100 pcs., Z13CX64X0 Vacuum bags 240 x 350 mm, 100 pcs., Z13TC10X0 ComfortFlex Rail (1 level) f. steam, Z13TF36X0 3 level telescopic rails, full ext, steam, Z99RX70X0 Connecting cable 3m

Built-in oven with FullSteam and SLIDE&HIDE - combining all heating types and steam cooking in a single oven with unrestricted access.

- ✓ Slide&Hide – The unique fully disappearing oven door.
- ✓ CircoTherm – Smart hot-air solution that lets you bake on up to four levels.
- ✓ NEFFLight - Illumination of all four oven levels, even with the door shut.
- ✓ Eco Clean with Easy Clean - the duo that makes oven cleaning easier
- ✓ Full Touch Control – Simple, precise control by touch on the high-resolution TFT colour display.

Color / Material Front: Graphite-Grey
 Built-in / Free-standing: Built-in
 Door opening: Drop down
 Integrated Cleaning system: EcoClean program
 Control Panel Material: Glass
 Door Material: Glass
 Dimensions: 595x596x548 mm
 Dimensions of the packed product (HxWxD): . 660 x 650 x 690 mm
 Min. required niche size for installation (HxWxD): 585-595 x 560-568 x 550 mm
 Cavity dimensions: 355 x 480 x 415 mm
 Usable volume (of cavity) - NEW (2010/30/EC): 71 l
 Number of interior lights: 3
 Net weight: 43.7 kg
 Gross weight: 46.4 kg
 EAN code: 4242004254652
 Connection Rating: 3600 W
 Fuse protection: 16 A
 Voltage: 220-240 V
 Frequency: 50; 60 Hz
 Length electrical supply cord: 120.0 cm



N 90, BUILT-IN OVEN WITH STEAM FUNCTION, 60
X 60 CM, GRAPHITE-GREY
B48FT78G0

Heating Functions

- FullSteam oven with 13 cooking functionsheating methods:
- CircoTherm
- Bread Baking Full surface grill CircoTherm Eco Centre area grill Top/Bottom heat Top/Bottom heat Eco Pizza setting Low temperature / slow cooking Bottom heat CircoRoasting Pre-Heating Keep warm
- Additional heating methods with steam:
- FullSteam: 100% Steam
- Reheating with up to 100% Steam Dough Proving with up to 100% Steam Defrost with steam Sous-vide cooking with up to 100% steam
- Temperature range 40 °C - 250 °C

Design

- Cavity volume: 71 l
- Graphite-Grey Edition
- Anthracite enamel cavity with 4 shelf positions

Cleaning

- Easy Clean cleaning program: Just add 400ml water and a drop of washing-up liquid in the base pan (recessed area on the bottom of the oven cavity) and run the EasyClean program. This helps to soften baked-on residue so that you can just wipe it down for fast and uncomplicated cleaning
- Additional functions:
- Descaling program: A descaling function to remove limescale from the steam generator
- Drying function: Dries the cooking compartment after a steam function

Convenience

- 5.7" TFT colour and graphics display with FullTouch control
- Built in cooking functions: Baking and Roasting Assistant: Takes the guess work out by recommending the ideal heating mode, temperature and time for a wide variety of dishes, which you can manually adjust to your desire to ensure perfect results, Automatic programs: Select a program, enter the weight of your food, and the automatic program will apply the most optimal settings, no manual settings required
- automatic programming, 38 PC automatic programs
- MultiPoint MeatProbe: measures the inside heat at three points to ensure the right core temperature is reached and the meat is cooked for the correct duration of time
- Electronic clock
- Rapid heat-up: Reduce the preheat time at the touch of a button
- Independent oven interior light button, LED lighting, Neff Light: Bright and brilliant lighting for all cooking levels
- Water tank empty indicator
- Location of the steam generator is outside of the cavity.
- Cooling fan
- Stainless-steel fan
- Individual adjustable child lock
- Residual heat indicator Safety switch off Start button door contact

switch TUO

- HomeConnect ready on Wi-Fi, Remote diagnostics
- Home Connect helps you to unleash your cooking creativity by allowing you to manage your oven, warming drawer and coffee machine over your Wi-Fi. Tap via the app, speak to your oven with voice control, and make appliances interact with one another automatically. Home Connect is an ever-growing platform that brings the future to your kitchen

Rails

- Telescopic rails: Comfort Flex shelf supports (includes 1 telescopic rail), with safety stop function, full extension

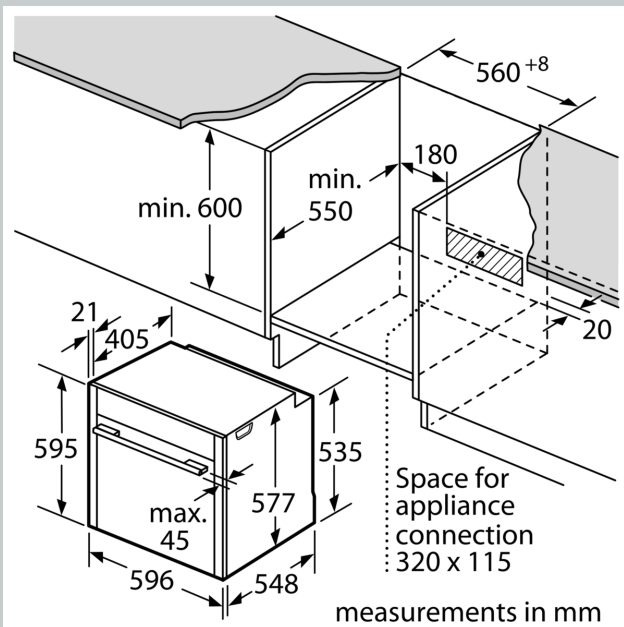
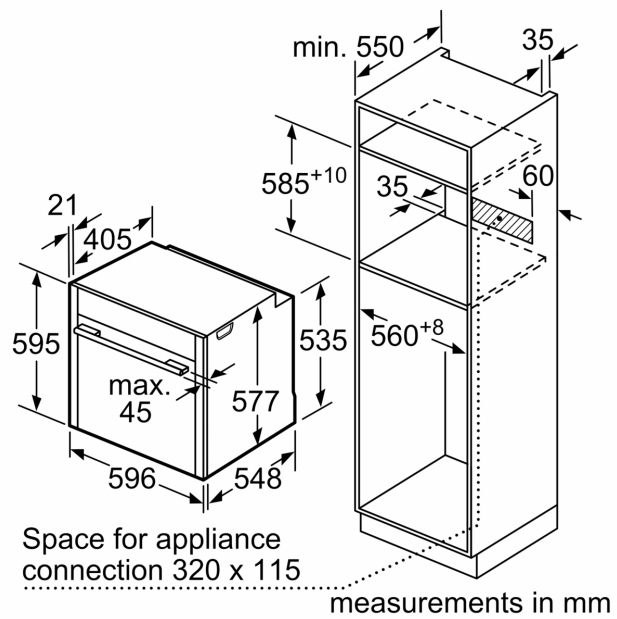
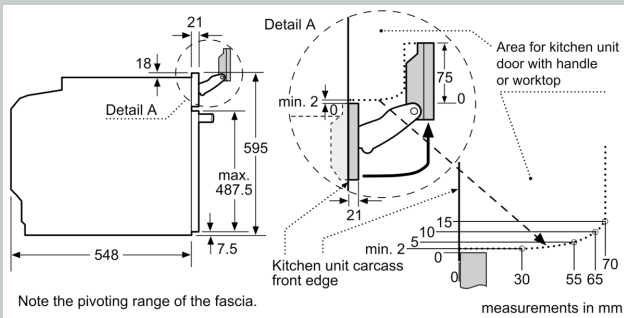
Accessories

- enamel baking tray, Small perforated stainless steel tray, Large perforated stainless steel tray, Small solid stainless steel tray, 1 x Wire rack, sponge, 1 x Universal pan

Technical Information

- Length of mains cable: 120 cm
- Total connected load electric: 3.6 KW
- Appliance dimension (HxWxD): 595 mm x 596 mm x 548 mm
- Installation dimensions (HxWxD): 585 mm - 595 mm x 560 mm - 568 mm x 550 mm
- Please reference the built-in dimensions provided in the installation drawing
- Nominal voltage: 220 - 240 V

N 90, BUILT-IN OVEN WITH STEAM FUNCTION, 60 X 60 CM, GRAPHITE-GREY
B48FT78G0



If the appliance will be installed underneath a hob, the following worktop thicknesses (including substructure if necessary) must be taken into account.

Hob type	min. worktop thickness	
	fitted	flush
Induction hob	37 mm	38 mm
Full surface Induction hob	47 mm	48 mm
Gas hob	30 mm	38 mm
Electric hob	27 mm	30 mm