

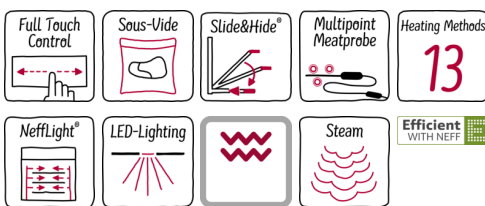
N 90, Built-in oven with steam function, Stainless steel
B48FT78N1B



COOKING PASSION SINCE 1877



A+



Built-in oven with FullSteam and SLIDE&HIDE - combining all heating types and steam cooking in a single oven with unrestricted access.

- ✓ Slide&Hide - the fully retracting oven door.
- ✓ The FullSteam oven combines CircoTherm oven and steam cooker in a single unit.
- ✓ Sous-vidé - prepare vacuum-sealed dishes with FullSteam for a new horizon of flavour.
- ✓ FullTouch Control - simple, precise oven control by fingertip touch on the smooth surface of the high resolution TFT colour display.
- ✓ NeffLight - perfect illumination of all four oven levels, even with the door shut.
- ✓
- ✓ ComfortFlex - telescopic rails that come out far enough to let you grasp the baking sheet conveniently from the sides.
- ✓
- ✓ The Multi Point roast thermometer helps the oven regulate the temperature and automatically adjust the cooking time.

Features

Technical Data

Color / Material Front : Stainless steel
 Built-in / Free-standing : Built-in
 Door opening : Drop down
 Required niche size for installation (HxWxD) : 585-595 x 560-568 x 550
 Dimensions of the product (mm) : 595 x 596 x 548
 Dimensions of the packed product (HxWxD) (mm) : 670 x 650 x 690
 Control Panel Material : Stainless steel
 Door Material : Glass
 Net weight (kg) : 43.749
 Approval certificates : CE, VDE
 Length electrical supply cord (cm) : 120
 EAN code : 4242004214113
 Current (A) : 16
 Voltage (V) : 220-240
 Frequency (Hz) : 50; 60
 Plug type : no plug
 Approval certificates : CE, VDE
 Number of cavities (2010/30/EC) : 1
 Usable volume (of cavity) - NEW (2010/30/EC) : 71
 Energy efficiency class (2010/30/EC) : A+
 Energy consumption per cycle conventional (2010/30/EC) : 0.87
 Energy consumption per cycle forced air convection (2010/30/EC) : 0.69
 Energy efficiency index (2010/30/EC) : 81.2

Optional accessories

- Z11SZ00X0 SeamlessCombination mounting kit
- Z11SZ80X0 SeamlessCombination 60 + 29cm
- Z11SZ90X0 SeamlessCombination 60 + 45cm
- Z12CB10A0 Baking tray, anthracite enamelled
- Z12CM10A0 Moussaka pan, anthracite enamelled
- Z13TC10X0 ComfortFlex Rail (1 level) f. steam
- Z19DD10X0 Steam set for ovens



4 242004 214113

N 90, Built-in oven with steam function, Stainless steel
B48FT78N1B

Features

Heating Functions

- Combi-steam oven with 13 heating methods:
 - 4D hot air
 - CircoTherm Eco
 - Top/Bottom heating
 - Top/bottom heating Eco
 - Hot-air grilling
 - Full surface grill
 - Small area grill
 - Pizza setting
 - Bread Baking
 - Bottom heating
 - Slow cooking
 - Plate warming
 - Keep warm
- Additional heating methods with steam:
 - FullSteam
 - Reheating
 - Dough Proving
 - Defrost
 - Sous-vide cooking
- Temperature range 40 °C - 250 °C
- Cavity volume: 71 litres

Design

- Black Glass and Stainless steel finish
- Touch control
- Anthracite enamel cavity with 4 shelf positions

Cleaning

- EcoClean Direct : rear, side walls & ceiling
- EasyClean Cleaning program
-

Convenience

- TFT colour graphic display with FullTouch Control
- Temperature proposal
 - Actual temperature display
 - Optical temperature control
 - AutoPilot
 - Sabbath setting
- Additional functions:
 - Descaling programme
 - Drying function
- SoftMove Door - SoftOpen & SoftClose
- Supporting systems: Bake and Roast assist, Automatic Programs
- Number of automatic programmes: 30 PC
- Multipoint MeatProbe
- Electronic clock
- Rapid heating-up
- LED lighting
- Large 1 litre water tank
- Water tank empty indicator
- Location of the steam generator is outside of the cavity.
- Cooling fan
- Stainless-steel fan
- Info button
- Revolution handle
- Pull out system: Telescopic shelf rail. 1-level flexible, full extension, safety stop function

Accessories

- 1 x steam container, punched, size S, 1 x steam container, punched, size XL, 1 x steam container, unpunched, size S, 2 x grid, 1 x sponge, 1 x universal pan

Cleaning

- Individual adjustable child lock
- Residual heat indicator
- Safety switch off

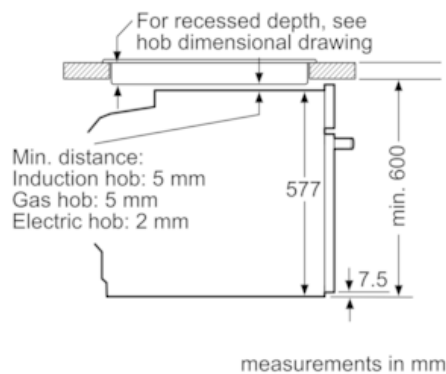
Technical Information

- Length of mains cable: 120 cm
- Total connected load electric: 3.45 KW
- Appliance dimension (hxwxh): 595 mm x 596 mm x 548 mm
- Installation dimensions (HxWxD): 585 mm - 595 mm x 560 mm - 568 mm x 550 mm
- Please reference the built-in dimensions provided in the installation drawing

N 90, Built-in oven with steam function, Stainless steel
B48FT78N1B

Dimensioned drawings

Installation with a hob.



If the appliance will be installed underneath a hob, the following worktop thicknesses (including substructure if necessary) must be taken into account.

Hob type	min. worktop thickness	
	fitted	flush
Induction hob	37 mm	38 mm
Full surface Induction hob	47 mm	48 mm
Gas hob	30 mm	38 mm
Electric hob	27 mm	30 mm

