

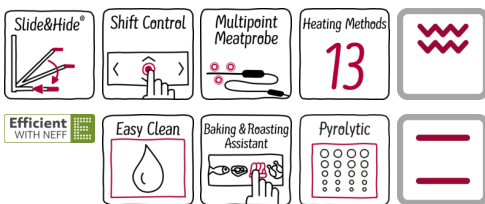
N 90, Built-in oven, Stainless steel
B57CS26NOB



COOKING PASSION SINCE 1877



A+



Built-in oven with SLIDE&HIDE - unrestricted access to the oven interior.

- ✓ Slide&Hide - the fully retracting oven door.
- ✓ CircoTherm - NEFF's outstanding hot-air system for simultaneous baking and roasting on up to 3 levels.
- ✓ The duo for perfect cleaning: Pyrolysis after heavy use - the oven interior cleans itself.
- ✓ EasyClean - the environment-saving option for fast oven cleaning.
- ✓ ShiftControl - fast navigation through menus and simple operation with the generous TFT display.

Features

Technical Data

Color / Material Front : Stainless steel
 Built-in / Free-standing : Built-in
 Integrated Cleaning system : Hydrolytic, Pyrolytic
 Required niche size for installation (HxWxD) : 585-595 x 560-568 x 550
 Dimensions of the product (mm) : 595 x 596 x 548
 Dimensions of the packed product (HxWxD) (mm) : 675 x 690 x 660
 Control Panel Material : Stainless steel
 Door Material : Glass
 Net weight (kg) : 40.156
 Usable volume of cavity (l) : 71
 Cooking method : , 4D hot air, Bottom heat, Bread Baking Setting, Conventional heat, Defrost, Dough proving setting, Full width grill, Half width grill, Hot Air-Eco, Hot air grilling, low temperature cooking, Pizza setting
 First cavity material : Enamelled
 Temperature control : electronic
 Number of interior lights : 1
 Approval certificates : CE, VDE
 Length electrical supply cord (cm) : 120
 EAN code : 4242004181941
 Number of cavities (2010/30/EC) : 1
 Energy efficiency class (2010/30/EC) : A+
 Energy consumption per cycle conventional (2010/30/EC) : 0.87
 Energy consumption per cycle forced air convection (2010/30/EC) : 0.69
 Energy efficiency index (2010/30/EC) : 81.2
 Connection Rating (W) : 3450
 Current (A) : 16
 Voltage (V) : 220-240
 Frequency (Hz) : 60; 50
 Plug type : no plug

Included accessories

2 x combination grid, 1 x universal pan

Optional accessories

Z11CR10X0 Baking and roasting grid (standard)
 Z11SZ80X0 SeamlessCombination 60 + 29cm
 Z11SZ90X0 SeamlessCombination 60 + 45cm
 Z11TC10X0 ComfortFlex Rail (1 level)
 Z11TC16X0 ComfortFlex Rail (1 level)
 Z12CB10A0 Baking tray, anthracite enamelled
 Z12CM10A0 Moussaka pan, anthracite enamelled
 Z12TF36X0 3 level telescopic rails, full ext,pyro
 Z19DD10X0 Steam set for ovens



4 242004 181941

N 90, Built-in oven, Stainless steel

B57CS26NOB

Features

Heating Functions

- Oven with 13 heating methods:
 - CircoTherm
 - CircoTherm Eco
 - Top/Bottom heating
 - Top/bottom heating Eco
 - Full surface grill
 - Small area grill
 - Pizza setting
 - Bread Baking
 - Bottom heating
 - Slow cooking
 - Defrost
 - Dough proving

- Temperature range 40 °C - 275 °C
- Cavity volume: 71 net usable litres

Design

- Black Glass and Stainless steel finish
- Illuminated ShiftControl
- Anthracite enamel cavity with 4 shelf positions

Cleaning

- Pyrolytic self cleaning
- EasyClean Cleaning program
- Full glass inner door - safer touch door

Convenience

- 4.1" TFT colour and graphics display with ShiftControl
- Temperature proposal
 - Actual temperature display
 - Optical temperature control
 - Sabbath setting
- Additional functions:
 - Steam cooking function (system steamer accessory required)
- Slide&Hide door, SoftOpen
- Supporting systems: Bake and Roast assist
- Multipoint MeatProbe
- Electronic clock
- Rapid heating-up
- Halogen lighting
- Cooling fan
- Stainless-steel fan
- Info button
- Revolution handle

Hook-in racks / rails

- Cavity with shelf support rails, Telescopic slide-out Accessory

Accessories

- 2 x combination grid, 1 x universal pan

Safety and Environment

- Individual adjustable child lock
- Residual heat indicator
- Safety switch off

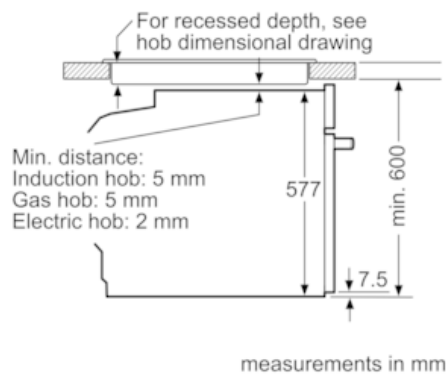
Technical Information

- Length of mains cable: 120 cm
- Total connected load electric: 3.45 KW
- Appliance dimension (hxwxh): 595 mm x 596 mm x 548 mm
- Installation dimensions (HxWxD): 585 mm - 595 mm x 560 mm - 568 mm x 550 mm
- Please reference the built-in dimensions provided in the installation drawing

N 90, Built-in oven, Stainless steel
B57CS26NOB

Dimensioned drawings

Installation with a hob.



If the appliance will be installed underneath a hob, the following worktop thicknesses (including substructure if necessary) must be taken into account.

Hob type	min. worktop thickness	
	fitted	flush
Induction hob	37 mm	38 mm
Full surface Induction hob	47 mm	48 mm
Gas hob	30 mm	38 mm
Electric hob	27 mm	30 mm

