

N 90, BUILT-IN COMPACT OVEN WITH STEAM FUNCTION, 60 X 45 CM, STAINLESS STEEL C17FS32H0B



Compact built-in oven with Full Steam - combining all heating types and steam cooking in a single oven in a very small space.

- ✓ CircoTherm – Smart hot-air solution that lets you bake on up to four levels.
- ✓ Full Steam – Your oven is also a fully equipped steamer.
- ✓ Eco Clean with Easy Clean - the duo that makes oven cleaning easier
- ✓ Wi-Fi enabled oven - Unleash your creativity via the Home Connect app.
- ✓ Baking and Roasting Assistant with Automatic Programmes - The duo for optimal baking at your command.

Z11AB15A0 Baking tray, non-stick ceramic coated, Z11AU15A0 Universal pan, non-stick ceramic coated, Z11GT10X3 Glass roasting dish, 5,4l, Z11GU20X0 Glasspan, Z11SZ00X0 SeamlessCombination mounting kit, Z11SZ60X0 SeamlessCombination 45 + 14cm, Z11SZ90X0 SeamlessCombination 60 + 45cm, Z12CB10A0 Baking tray, enamelled, Z12CM10A0 Moussaka pan, enamelled, Z12CP10A0 Pizza pan, enamelled, Z12CQ10A0 Grill tray, enamelled, Z12CU10A0 Multipurpose pan, enamelled, Z13CR10X0 Baking and roasting grid (steam), Z13CU30X0 Steam container, unpunched, size S, Z13CU31X0 Steam container, punched, size S, Z13CV05S0 Cover Strip, Z13CV06S0 Decor strip, Z13TC10X0 ComfortFlex Rail (1 level) f. steam, Z13TC14X0 ComfortFlex Rail (1)&racks,45cm f. steam

Color / Material Front:Stainless steel
 Built-in / Free-standing: Built-in
 Door opening: Drop down
 Integrated Cleaning system: EcoClean program
 Control Panel Material: Glass
 Door Material: Glass
 Dimensions: 455x596x548 mm
 Dimensions of the packed product (HxWxD): . 540 x 660 x 690 mm
 Min. required niche size for installation (HxWxD):450-455 x 560-568 x 550 mm
 Cavity dimensions: 235 x 480 x 415 mm
 Usable volume (of cavity) - NEW (2010/30/EC):47 l
 Number of interior lights: 1
 Net weight: 33.7 kg
 Gross weight:35.9 kg
 EAN code:4242004236108
 Connection Rating: 3300 W
 Fuse protection:16 A
 Voltage: 220-240 V
 Frequency: 50; 60 Hz
 Length electrical supply cord: 150.0 cm



*N 90, BUILT-IN COMPACT OVEN WITH STEAM
FUNCTION, 60 X 45 CM, STAINLESS STEEL
C17FS32H0B*

Heating Functions

- Compact steam oven with 12 PHeating methods:
- CircoTherm
- Bread Baking Full surface grill CircoTherm Eco Centre area grill Top/Bottom heat Top/Bottom heat Eco Pizza setting Low temperature / slow cooking Bottom heat CircoRoasting Keep warm
- Additional heating methods with steam:
- FullSteam: 100% Steam
- Reheating with up to 100% Steam Dough Proving with up to 100% Steam Defrost with steam
- Temperature range 40 °C - 250 °C

Design

- Cavity volume: 47 l
- Anthracite enamel cavity with 3 shelf positions

Cleaning

- Easy Clean cleaning program: Just add 400ml water and a drop of washing-up liquid in the base pan (recessed area on the bottom of the oven cavity) and run the EasyClean program. This helps to soften baked-on residue so that you can just wipe it down for fast and uncomplicated cleaning
- Additional functions:
- Descaling program: A descaling function to remove limescale from the steam generator
- Drying function: Dries the cooking compartment after a steam function

Convenience

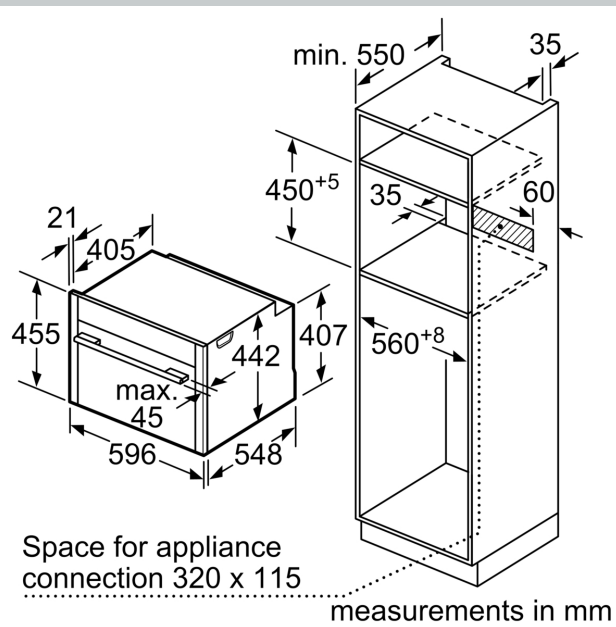
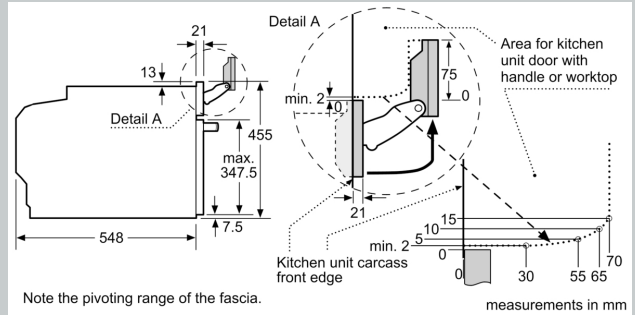
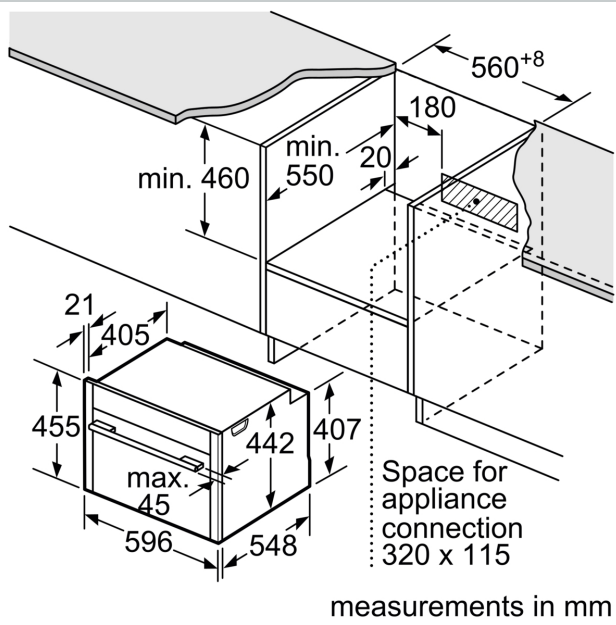
- 4.1" TFT colour and graphics display with ShiftControl
- SoftMove oven door with soft close, with SoftOpen system, Bottom hinged door
- Built in cooking functions: Baking and Roasting Assistant: Takes the guess work out by recommending the ideal heating mode, temperature and time for a wide variety of dishes, which you can manually adjust to your desire to ensure perfect results, Automatic programs: Select a program, enter the weight of your food, and the automatic program will apply the most optimal settings, no manual settings required
- automatic programming, 30 PC automatic programs
- Electronic clock
- Rapid heat-up: Reduce the preheat time at the touch of a button
- Independent oven interior light button, LED lighting
- Water tank empty indicator
- Location of the steam generator is outside of the cavity.
- Cooling fan
- Stainless-steel fan
- Individual adjustable child lock
- Residual heat indicator Safety switch off Start button door contact switch
- HomeConnect ready on Wi-Fi, Remote diagnostics
- Home Connect helps you to unleash your cooking creativity by allowing you to manage your oven, warming drawer and coffee machine over your Wi-Fi. Tap via the app, speak to your oven with

voice control, and make appliances interact with one another automatically. Home Connect is an ever-growing platform that brings the future to your kitchen

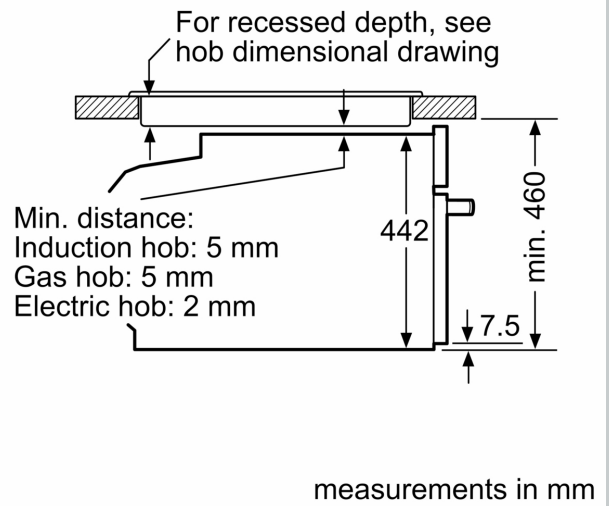
Accessories

- Small perforated stainless steel tray, Large perforated stainless steel tray, Small solid stainless steel tray, 1 x Wire rack, 1 x Universal pan
- Length of mains cable: 150 cm
- Appliance dimension (HxWxD): 455 mm x 596 mm x 548 mm
- Please reference the built-in dimensions provided in the installation drawing

N 90, BUILT-IN COMPACT OVEN WITH STEAM
FUNCTION, 60 X 45 CM, STAINLESS STEEL
C17FS32H0B



Installation with a hob.



If the compact appliance will be installed underneath a hob, the following worktop thicknesses (including substructure if necessary) must be taken into account.

Hob type	min. worktop thickness	
	fitted	flush
Induction hob	42 mm	43 mm
Full surface Induction hob	52 mm	53 mm
Gas hob	32 mm	43 mm
Electric hob	32 mm	35 mm