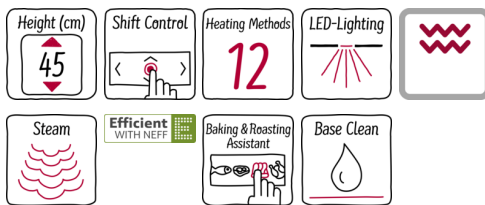


N 90, Built-in compact oven with steam function, Stainless steel
C17FS32N0B



A+



Compact built-in oven with FullSteam - combining all heating types and steam cooking in a single oven in a very small space.

- ✓ The FullSteam oven combines CircoTherm oven and steam cooker in a single unit.
- ✓ ShiftControl - fast navigation through menus and simple operation with the generous TFT display.
- ✓ EcoClean - the self-cleaning catalytic coating on the inside top and sides of the oven makes oven cleaning easier.
- ✓ BottomClean - the special cleaning programme for the oven floor.
- ✓ Modern LED lighting for bright, even illumination.
- ✓ Hinged door with cushioned opening and closing.

Features

Technical Data

Color / Material Front : Stainless steel
 Built-in / Free-standing : Built-in
 Door opening : Drop down
 Required niche size for installation (HxWxD) : 450-455 x 560-568 x 550
 Dimensions of the product (mm) : 455 x 596 x 548
 Dimensions of the packed product (HxWxD) (mm) : 540 x 660 x 690
 Control Panel Material : Stainless steel
 Door Material : Glass
 Net weight (kg) : 34.905
 Approval certificates : CE, VDE
 Length electrical supply cord (cm) : 150
 EAN code : 4242004182139
 Current (A) : 16
 Voltage (V) : 220-240
 Frequency (Hz) : 60; 50
 Plug type : no plug
 Approval certificates : CE, VDE
 Number of cavities (2010/30/EC) : 1
 Usable volume (of cavity) - NEW (2010/30/EC) : 47
 Energy efficiency class (2010/30/EC) : A+
 Energy consumption per cycle conventional (2010/30/EC) : 0.73
 Energy consumption per cycle forced air convection (2010/30/EC) : 0.61
 Energy efficiency index (2010/30/EC) : 81.3

Optional accessories

Z11SZ60X0 SeamlessCombination 45 + 14cm
 Z11SZ90X0 SeamlessCombination 60 + 45cm
 Z12CB10A0 Baking tray, anthracite enamelled
 Z12CM10A0 Moussaka pan, anthracite enamelled
 Z13TC10X0 ComfortFlex Rail (1 level) f. steam
 Z13TC14X0 ComfortFlex Rail (1 level) f. steam
 Z19DD10X0 Steam set for ovens



4 242004 182139

*N 90, Built-in compact oven with steam function,
Stainless steel
C17FS32NOB*

Features

Heating Functions

- Compact steam oven with 12 heating methods:
 - 4D hot air
 - CircoTherm Eco
 - Top/Bottom heating
 - Top/bottom heating Eco
 - Hot-air grilling
 - Full surface grill
 - Small area grill
 - Pizza setting
 - Bread Baking
 - Bottom heating
 - Slow cooking
 - Keep warm
- Additional heating methods with steam:
 - FullSteam
 - Reheating
 - Dough Proving
 - Defrost
- Temperature range 40 °C - 250 °C
- Cavity volume: 47 net usable litres

Design

- Illuminated ShiftControl
- Anthracite enamel cavity with 3 shelf positions

Cleaning

- EcoClean Direct : rear, side walls & ceiling
- EasyClean Cleaning program
-

Convenience

- TFT colour graphic display with FullTouch Control
- Temperature proposal
 - Actual temperature display
 - Optical temperature control
 - AutoPilot
 - Sabbath setting
- Additional functions:
 - Descaling programme
 - Drying function
- SoftMove Door - SoftOpen & SoftClose
- Supporting systems: Bake and Roast assist, Automatic Programs
- Number of automatic programmes: 30 PC
- Electronic clock
- Rapid heating-up
- LED lighting
- Large 1 litre water tank
- Water tank empty indicator
- Location of the steam generator is outside of the cavity.
- Cooling fan
- Stainless-steel fan
- Info button
- Bar handle

Accessories

- 1 x steam container, punched, size S, 1 x steam container, punched, size XL, 1 x steam container, unpunched, size S, 1 x grid, 1 x universal pan

Cleaning

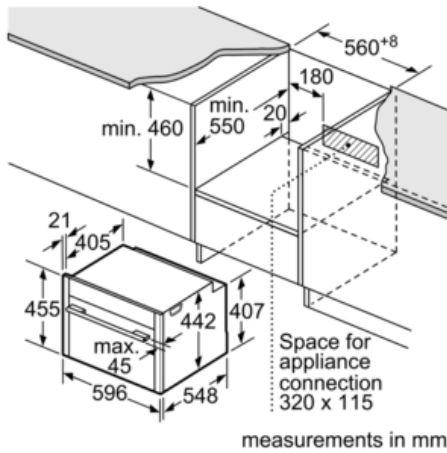
- Individual adjustable child lock
- Residual heat indicator
- Safety switch off

Technical Information

- Length of mains cable: 150 cm
- Total connected load electric: 3.3 KW
- Appliance dimension (hxwxd): 455 mm x 596 mm x 548 mm
- Installation dimensions (HxWxD): 450 mm - 455 mm x 560 mm - 568 mm x 550 mm
- Please reference the built-in dimensions provided in the installation drawing

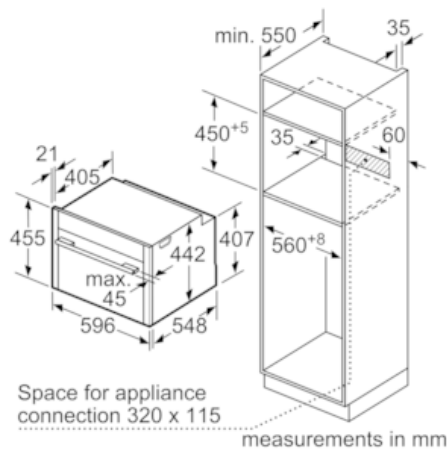
N 90, Built-in compact oven with steam function,
Stainless steel
C17FS32N0B

Dimensioned drawings



If the compact appliance will be installed underneath a hob, the following worktop thicknesses (including substructure if necessary) must be taken into account.

Hob type	min. worktop thickness	
	fitted	flush
Induction hob	42 mm	43 mm
Full surface Induction hob	52 mm	53 mm
Gas hob	32 mm	43 mm
Electric hob	32 mm	35 mm



Installation with a hob.

