

N 70, BUILT-IN MICROWAVE, 60 X 38 CM,
STAINLESS STEEL
C17WRO0N0A



Z18W38X0 Cookbook

Built-in microwave for upper cabinets.

Type of micro-wave oven: MW only
 Color / Material Front: Stainless steel
 Built-in / Free-standing: Built-in
 Door opening: Button
 Colour.Material door: Metallic
 Integrated Cleaning system: Hydrolytic
 Control Panel Material: Stainless steel
 Dimensions: 382 x 594 x 320 mm
 Dimensions of the packed product (HxWxD): . 480 x 455 x 670 mm
 Min. required niche size for installation (HxWxD):362-382 x
 560-568 x 300 mm
 Cavity dimensions: 220 x 350 x 270 mm
 Cavity capacity: 21 l
 Maximum micro-wave power: 900 W
 Number of interior lights: 1
 Net weight: 16.7 kg
 Gross weight: 18.9 kg
 EAN code:4242004184553
 Connection Rating: 1220 W
 Fuse protection:10 A
 Voltage:220-240 V
 Frequency: 50; 60 Hz
 Length electrical supply cord: 150.0 cm



N 70, BUILT-IN MICROWAVE, 60 X 38 CM,
STAINLESS STEEL
C17WRO0N0A

Design

Cleaning

Convenience

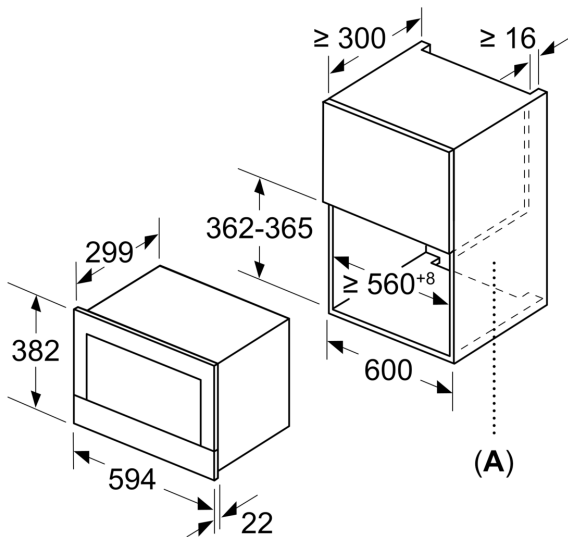
- SoftMove Door - SoftOpen & SoftClose
- Number of automatic programs: 7
- LED lighting

Technical Information

- Length of mains cable: 150 cm
- Total connected load electric: 1.22 KW
- Appliance dimension (HxWxD): 382 mm x 594 mm x 320 mm
- Installation dimensions (HxVxD): 362 mm - 382 mm x 560 mm - 568 mm x 300 mm
- Please reference the built-in dimensions provided in the installation drawing

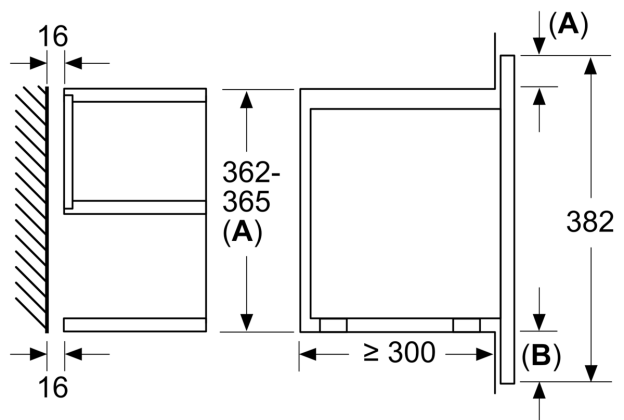
N 70, BUILT-IN MICROWAVE, 60 X 38 CM,
STAINLESS STEEL
C17W00N0A

measurements in mm

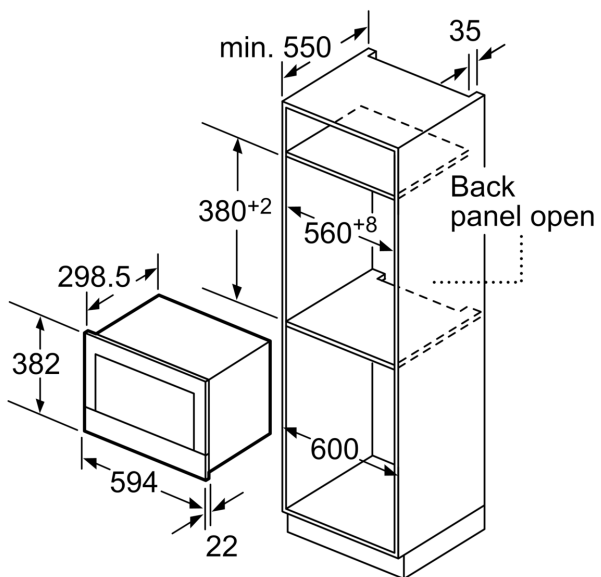


A: Back panel open

measurements in mm



A: Overhang at top:
Recess 362: 6 mm
Recess 365: 3 mm
B: Overhang at bottom: 14 mm



measurements in mm