

*N 90, BUILT-IN COMPACT OVEN WITH STEAM FUNCTION, 60 X 45 CM, STAINLESS STEEL C18FT58N0B*



Compact built-in oven with Full Steam - combining all heating types and steam cooking in a single oven in a very small space.

- ✓ Slide - The rotating handle that sits comfortably in your hand.
- ✓ CircoTherm – Smart hot-air solution that lets you bake on up to four levels.
- ✓ Full Steam – Your oven is also a fully equipped steamer.
- ✓ Eco Clean with Base Clean - The duo that makes oven cleaning easier.
- ✓ Full Touch Control – Simple, precise control by touch on the high-resolution TFT colour display.

Color / Material Front: .....Stainless steel  
 Built-in / Free-standing: ..... Built-in  
 Door opening: ..... Drop down  
 Integrated Cleaning system: .... Catalytic all sides, Catalytic all sides  
 Control Panel Material: .....Stainless steel  
 Door Material: ..... Glass  
 Dimensions: ..... 455 x 596 x 548 mm  
 Dimensions of the packed product (HxWxD): . 520 x 650 x 710 mm  
 Min. required niche size for installation (HxWxD): .....450-455 x 560-568 x 550 mm  
 Cavity dimensions: ..... 235 x 480 x 415 mm  
 Usable volume (of cavity) - NEW (2010/30/EC): .....47 l  
 Number of interior lights: ..... 1  
 Net weight: ..... 36.9 kg  
 Gross weight: ..... 39.1 kg  
 EAN code: .....4242004182276  
 Connection Rating: ..... 3300 W  
 Fuse protection: .....16 A  
 Voltage: .....220-240 V  
 Frequency: ..... 60; 50 Hz  
 Length electrical supply cord: ..... 150.0 cm



Z99RX70X0 Connecting cable 3m, Z13TC10X0 ComfortFlex Rail (1 level) f. steam, Z18F45X0 Cookbook, Z1913X0 Baking Stone, Z19DD10X0 Steam set for ovens, Z13CU31X0 Steam container, punched, size S, Z13CV05S0 Cover Strip, Z13CV06S0 Decor strip, Z11AB10A0 Baking tray, non-stick coated, Z11AU10A0 Universal pan, non-stick coated, Z11GT10X3 Glass roasting dish, 5,4l, Z11GU20X0 Glasspan, Z11SZ00X0 SeamlessCombination mounting kit, Z11SZ60X0 SeamlessCombination 45 + 14cm, Z11SZ90X0 SeamlessCombination 60 + 45cm, Z12CB10A0 Baking tray, enamelled, Z12CM10A0 Moussaka pan, enamelled, Z12CP10A0 Pizza pan, enamelled, Z12CQ10A0 Grill tray, enamelled, Z12CU10A0 Multipurpose pan, enamelled, Z13CR10X0 Baking and roasting grid (steam), Z13CU11X0 Steam container, punched size XL, Z13CU30X0 Steam container, unpunched, size S

*N 90, BUILT-IN COMPACT OVEN WITH STEAM  
FUNCTION, 60 X 45 CM, STAINLESS STEEL  
C18FT58N0B*

#### Heating Functions

- Compact steam oven with 13 cooking functions/heating methods:
- CircoTherm
- Bread Baking Full surface grill CircoTherm Eco Centre area grill Top/Bottom heat Top/Bottom heat Eco Pizza setting Low temperature / slow cooking Bottom heat CircoRoasting Pre-Heating Keep warm
- Additional heating methods with steam:
- FullSteam: 100% Steam
- Reheating with up to 100% Steam Dough Proving with up to 100% Steam Defrost with steam
- Temperature range 40 °C - 250 °C
- Cavity volume: 47 l

#### Design

- Anthracite enamel cavity with 3 shelf positions

#### Cleaning

- Eco Clean: A microfine ceramic beaded coating on the oven's interior EcoClean - rear wall, EcoClean (Integrated in the construction of the oven) - ceiling, EcoClean (Integrated in the construction of the oven) - sides
- Easy Clean cleaning program: Just add 400ml water and a drop of washing-up liquid in the base pan (recessed area on the bottom of the oven cavity) and run the EasyClean program. This helps to soften baked-on residue so that you can just wipe it down for fast and uncomplicated cleaning
- Additional functions:
- Descaling program: A descaling function to remove limescale from the steam generator
- Drying function: Dries the cooking compartment after a steam function

#### Convenience

- 5.7" TFT colour and graphics display with FullTouch control
- Automatic Temperature control for each function
- Residual heat indicator Temperature control and display on screen automatic programming
- SoftMove oven door with soft close, with SoftOpen system, Bottom hinged door
- Built in cooking functions: Baking and Roasting Assistant: Takes the guess work out by recommending the ideal heating mode, temperature and time for a wide variety of dishes, which you can manually adjust to your desire to ensure perfect results, Automatic programs: Select a program, enter the weight of your food, and the automatic program will apply the most optimal settings, no manual settings required
- automatic programming, 30 PC automatic programs
- MultiPoint MeatProbe: measures the inside heat at three points to ensure the right core temperature is reached and the meat is cooked for the correct duration of time
- Electronic clock
- Rapid heat-up: Reduce the preheat time at the touch of a button
- Independent oven interior light button, LED lighting

- Large 1 litre water tank
- Water tank empty indicator
- Location of the steam generator is outside of the cavity.
- Cooling fan
- Stainless-steel fan
- Individual adjustable child lock
- Residual heat indicator Safety switch off Start button door contact switch
- Info button

#### Rails

- Pull out system: Comfort Flex shelf supports (includes 1 telescopic rail), full extension, with safety stop function

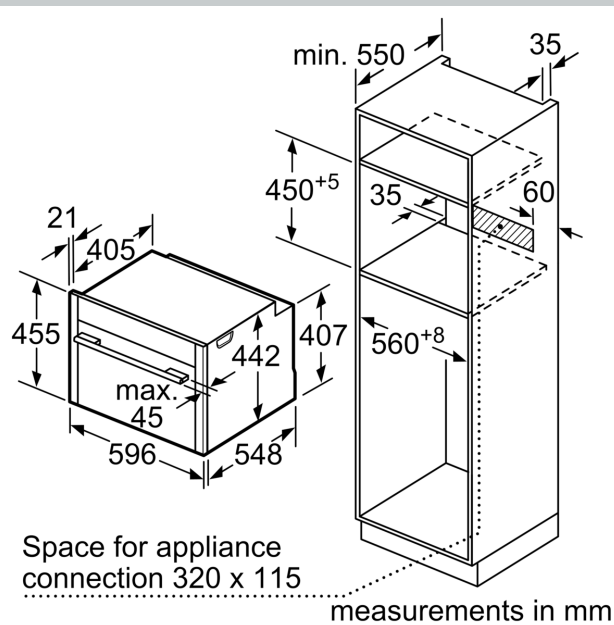
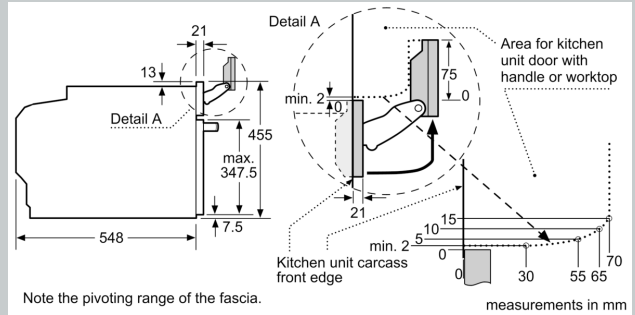
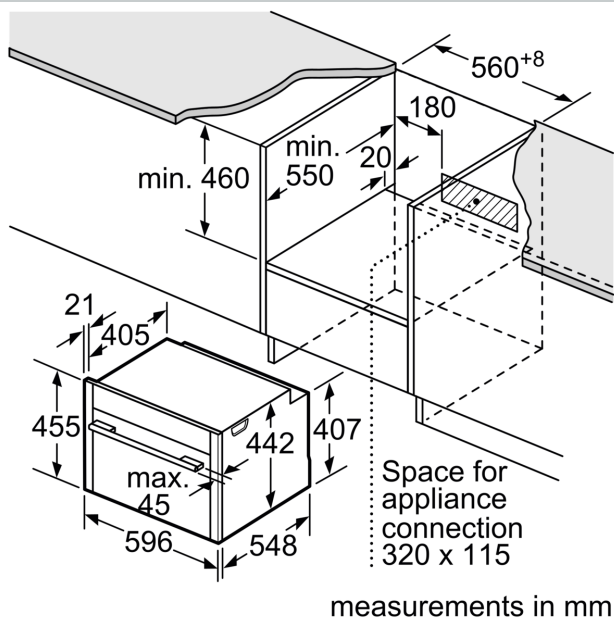
#### Accessories

- 1 x Universal pan, 1 x Wire rack, Large perforated stainless steel tray, Small perforated stainless steel tray, Small solid stainless steel tray

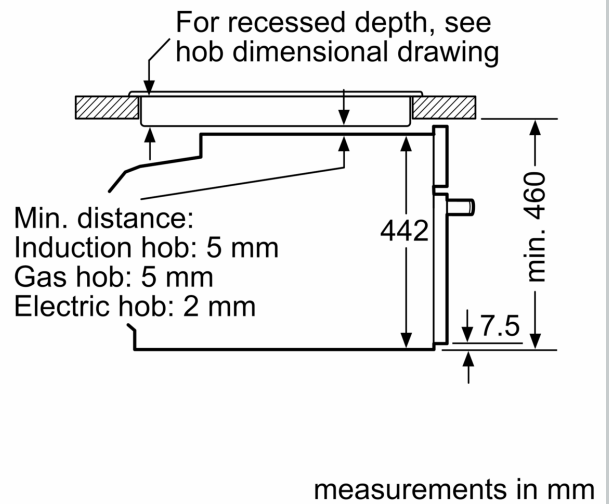
#### Technical Information

- Length of mains cable: 150 cm
- Total connected load electric: 3.3 KW
- Appliance dimension (HxWxD): 455 mm x 596 mm x 548 mm
- Installation dimensions (HxWxD): 450 mm - 455 mm x 560 mm - 568 mm x 550 mm
- Please reference the built-in dimensions provided in the installation drawing

*N 90, BUILT-IN COMPACT OVEN WITH STEAM  
FUNCTION, 60 X 45 CM, STAINLESS STEEL  
C18FT58N0B*



Installation with a hob.



If the compact appliance will be installed underneath a hob, the following worktop thicknesses (including substructure if necessary) must be taken into account.

Hob type	min. worktop thickness	
	fitted	flush
Induction hob	42 mm	43 mm
Full surface Induction hob	52 mm	53 mm
Gas hob	32 mm	43 mm
Electric hob	32 mm	35 mm