

N 90, Compact built-in oven, 60 x 45 cm, Stainless steel  
C27CS22H0B



COOKING PASSION SINCE 1877



Compact built-in oven with CircoTherm - NEFF's outstanding hot-air system for simultaneous baking and roasting on multiple levels

- ✓ CircoTherm – Smart hot-air solution that lets you bake on up to four levels.
- ✓ Wi-Fi enabled oven - Unleash your creativity via the Home Connect app.
- ✓ Baking and Roasting Assistant - Your helper in the kitchen for ideal cooking times, temperatures, and modes for many dishes at your fingertips.
- ✓ Soft Close with Soft Opening - The damping system cushions the door for gentle opening and closing.

#### Features

##### Technical Data

Color / Material Front : Stainless steel

Built-in / Free-standing : Built-in

Integrated Cleaning system : Pyrolytic+Hydrolytic

Required niche size for installation (HxWxD) : 450-455 x 560-568 x 550 mm

Dimensions : 455 x 596 x 548 mm

Dimensions of the packed product (HxWxD) : 520 x 690 x 650 mm

Control Panel Material : Stainless steel

Door Material : Glass

Net weight : 31.2 kg

Usable volume of cavity : 47 l

Cooking method : , 4D hot air, Bottom heat, Bread Baking Setting, Defrost, Dough proving, Full width grill, Half width grill, Hot Air-Eco, Hot-air grilling, low temperature cooking, Pizza setting, Top/Bottom heating

Oven control : electronic

Number of interior lights : 1

Approval certificates : CE, VDE

Length electrical supply cord : 150 cm

EAN code : 4242004236511

Number of cavities (2010/30/EC) : 1

Energy efficiency rating : A+

Energy consumption per cycle conventional (2010/30/EC) : 0.73 kWh/cycle

Energy consumption per cycle forced air convection (2010/30/EC) : 0.61 kWh/cycle

Energy efficiency index (2010/30/EC) : 81.3 %

Connection Rating : 2990 W

Fuse protection : 13 A

Voltage : 220-240 V

Frequency : 50; 60 Hz

Plug type : no plug



4 242004 236511

*N 90, Compact built-in oven, 60 x 45 cm, Stainless steel*  
C27CS22H0B



COOKING PASSION SINCE 1877

## Features

### Heating Functions

- Compact oven with 13 cooking functions/heating methods:  
CircoTherm / HotAir  
CircoTherm Eco Defrost Bread Baking Full surface grill Dough proving Centre area grill Top/Bottom heat Top/Bottom heat Eco  
CircoTherm Intensive / Pizza setting Low temperature / slow cooking Bottom heat CircoRoasting
- Temperature range 40 °C - 275 °C

### Design

- Cavity volume: 47 l
- Anthracite enamel cavity with 3 shelf positions
- Bar handle

### Cleaning

- Pyrolytic self-cleaning: The fastest way to clean an oven. At 485°C everything turns to ash, so no chemical cleaners are necessary with this cleaning method. When the program is finished, just let the oven cool down and wipe it out with a damp cloth. That's all there is to it
- Easy Clean cleaning program: Just add 400ml water and a drop of washing-up liquid in the base pan (recessed area on the bottom of the oven cavity) and run the EasyClean program. This helps to soften baked-on residue so that you can just wipe it down for fast and uncomplicated cleaning

### Convenience

- 4.1" TFT colour and graphics display with ShiftControl
- SoftMove oven door with soft open and soft close, soft opening, Bottom hinged door
- Built in cooking functions: Baking and Roasting Assistant: Takes the guess work out by recommending the ideal heating mode, temperature and time for a wide variety of dishes, which you can manually adjust to your desire to ensure perfect results
- Electronic clock
- Rapid heat-up: Reduce the preheat time at the touch of a button
- Halogen lighting, Independent oven interior light button
- Cooling fan
- Stainless-steel fan
- Individual adjustable child lock  
Residual heat indicator Safety switch off Start button door contact switch Automatic door lock during pyrolysis
- HomeConnect ready on Wi-Fi, Home Connect helps you to unleash your cooking creativity by allowing you to manage your oven and coffee machine over your Wi-Fi. Tap via the app, speak to your oven with voice control, and make appliances interact with one another automatically. Home Connect is an ever-growing platform that brings the future to your kitchen.

### Accessories

- combination grid, 1 x Universal pan

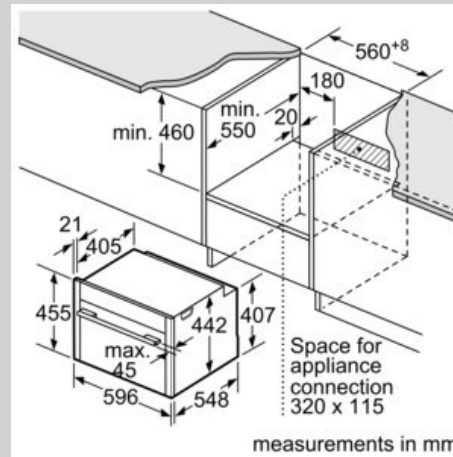
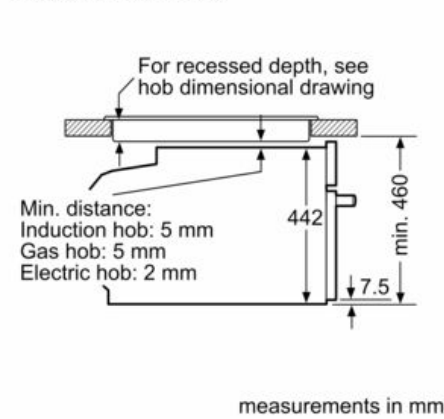
### Technical Information

- Length of mains cable: 150 cm
- Total connected load electric: 2.99 KW
- Appliance dimension (HxWxD): 455 mm x 596 mm x 548 mm
- Installation dimensions (HxWxD): 450 mm - 455 mm x 560 mm - 568 mm x 550 mm
- Nominal voltage: 220 - 240 V

N 90, Compact built-in oven, 60 x 45 cm, Stainless steel  
C27CS22HOB

## Dimensioned drawings

## Installation with a hob.



If the compact appliance will be installed underneath a hob, the following worktop thicknesses (including substructure if necessary) must be taken into account.

Hob type	min. worktop thickness	
	fitted	flush
Induction hob	42 mm	43 mm
Full surface Induction hob	52 mm	53 mm
Gas hob	32 mm	43 mm
Electric hob	32 mm	35 mm

