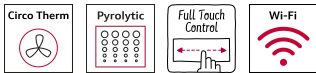


N 90, BUILT-IN COMPACT OVEN WITH
MICROWAVE FUNCTION, 60 X 45 CM, STAINLESS
STEEL
C28MT27H0B



Compact built-in oven with integrated microwave and an innovative Multipoint Meatprobe - even more ways to cook dishes to perfection, quickly and conveniently

- ✓ CircoTherm – Smart hot-air solution that lets you bake on up to four levels.
- ✓ Combined microwave and oven - the convenient solution to save space and time
- ✓ Pyrolytic Self-Cleaning with Easy Clean - the duo for optimal cleaning: pyrolytic for a full clean and Easy Clean for a quick between clean.
- ✓ Full Touch Control – Simple, precise control by touch on the high-resolution TFT colour display.
- ✓ Wi-Fi enabled oven - Unleash your creativity via the Home Connect app.

Z11AB15A0 Baking tray, non-stick ceramic coated, Z11AU15A0 Universal pan, non-stick ceramic coated, Z11GT10X3 Glass roasting dish, 5,4l, Z11GU20X0 Glasspan, Z11SZ00X0 SeamlessCombination mounting kit, Z11SZ60X0 SeamlessCombination 45 + 14cm, Z11SZ90X0 SeamlessCombination 60 + 45cm, Z12CB10A0 Baking tray, enamelled, Z12CM10A0 Moussaka pan, enamelled, Z12CP10A0 Pizza pan, enamelled, Z12CQ10A0 Grill tray, enamelled, Z12CU10A0 Multipurpose pan, enamelled, Z13CR10X0 Baking and roasting grid (steam), Z13CV06S0 Decor strip, Z14CR10X0 Baking and roasting grid (microwave), Z1913X0 Baking Stone, Z19DD10X0 Steam set for ovens

Type of micro-wave oven: MW-Combi
 Color / Material Front: Stainless steel
 Built-in / Free-standing: Built-in
 Door opening: Handle
 Door colour: Black
 Integrated Cleaning system: Pyrolytic+Hydrolytic
 Control Panel Material: Glass
 Dimensions: 455x596x548 mm
 Dimensions of the packed product (HxWxD): . 530 x 670 x 680 mm
 Required niche size for installation (HxWxD): 450-455 x 560-568 x 550 mm
 Cavity dimensions: 237 x 480 x 392 mm
 Cavity capacity: 45 l
 Maximum micro-wave power: 900 W
 Number of interior lights: 1
 Net weight: 37.2 kg
 Gross weight: 40.2 kg
 EAN code: 4242004236535
 Connection Rating: 3600 W
 Fuse protection: 16 A
 Voltage: 220-240 V
 Frequency: 50; 60 Hz
 Length electrical supply cord: 150.0 cm



N 90, BUILT-IN COMPACT OVEN WITH
MICROWAVE FUNCTION, 60 X 45 CM, STAINLESS
STEEL
C28MT27H0B

Heating Functions

- Compact oven with microwave with 13 cooking functions heating methods:
- CircoTherm
- Full surface grill Dough proving CircoTherm Eco Centre area grill Top/Bottom heat Top/Bottom heat Eco Pizza setting Low temperature / slow cooking Bottom heat CircoRoasting Pre-Heating Keep warm
- Additional heating methods with microwave:
- Microwave, 5 power levels
- Combination microwave and conventional oven
- Temperature range 30 °C - 300 °C
- Max. Power: 900 W; 5 Microwave power settings (90 W, 180 W, 360 W, 600 W, 900 W) with Inverter (MW)
- Intelligent inverter technology: maximum output power will be regulated to 600 W when used in longer operation

Design

- Cavity volume: 45 l
- Anthracite enamel cavity with 3 shelf positions
- Full Touch Control

Cleaning

- Pyrolytic self-cleaning
- Easy Clean cleaning program

Convenience

- 5.7" TFT colour and graphics display with FullTouch control
- Automatic Temperature control for each function
- Temperature control and display on screen Residual heat indicator automatic programming Sabbath function Meat probe
- SoftMove oven door with soft close, with SoftOpen system, Bottom hinged door
- Built in cooking functions: Baking and Roasting Assistant: Takes the guess work out by recommending the ideal heating mode, temperature and time for a wide variety of dishes, which you can manually adjust to your desire to ensure perfect results, Automatic programs
- automatic programming, 14 automatic programs
- MultiPoint MeatProbe: measures the inside heat at three points to ensure the right core temperature is reached and the meat is cooked for the correct duration of time
- Electronic clock
- Independent oven interior light button, LED lighting
- Cooling fan
- Individual adjustable child lock
- Residual heat indicator Safety switch off Start button door contact switch Automatic door lock during pyrolysis
- HomeConnect ready on Wi-Fi, Remote diagnostics
- Home Connect helps you to unleash your cooking creativity by allowing you to manage your oven, warming drawer and coffee machine over your Wi-Fi. Tap via the app, speak to your oven with

voice control, and make appliances interact with one another automatically. Home Connect is an ever-growing platform that brings the future to your kitchen

Racks and Rails

- Telescopic rails: Telescopic rail (1 level), standard extension, pyrolytic proof

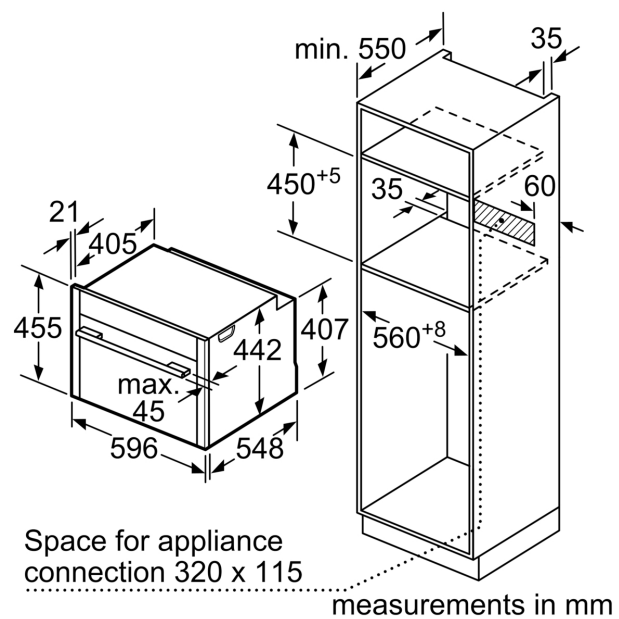
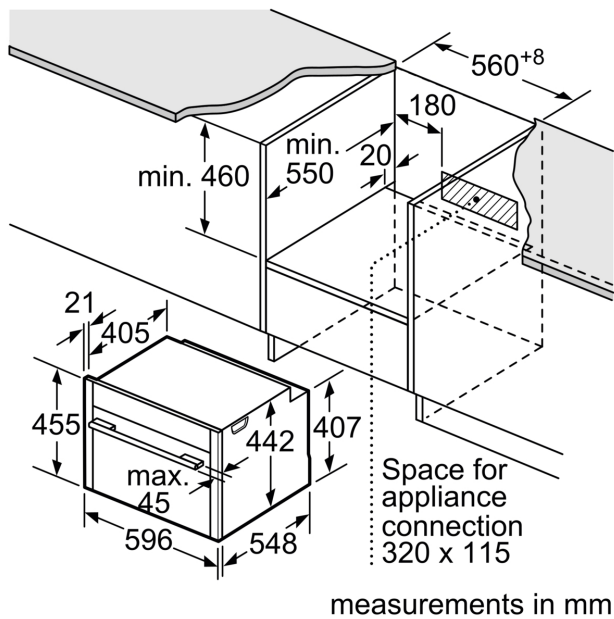
Accessories

- combination grid, 1 x Universal pan

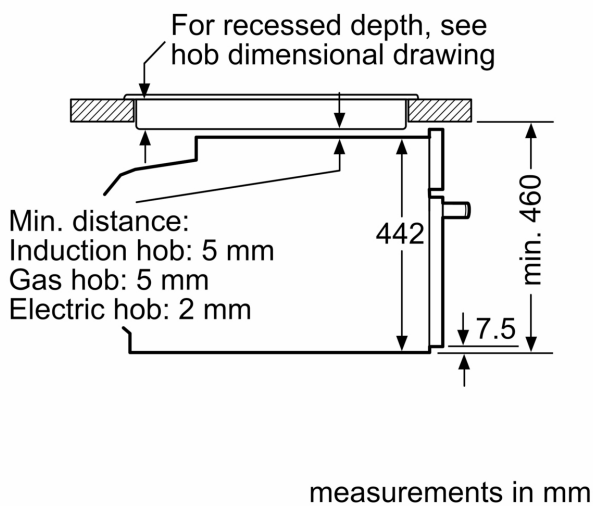
Technical Information

- Length of mains cable: 150 cm
- Total connected load electric: 3.6 KW
- Appliance dimension (HxWxD): 455 mm x 596 mm x 548 mm
- Installation dimensions (HxWxD): 450 mm - 455 mm x 560 mm - 568 mm x 550 mm
- Please reference the built-in dimensions provided in the installation drawing

N 90, BUILT-IN COMPACT OVEN WITH
MICROWAVE FUNCTION, 60 X 45 CM, STAINLESS
STEEL
C28MT27HOB



Installation with a hob.



If the compact appliance will be installed underneath a hob, the following worktop thicknesses (including substructure if necessary) must be taken into account.

Hob type	min. worktop thickness	
	fitted	flush
Induction hob	42 mm	43 mm
Full surface Induction hob	52 mm	53 mm
Gas hob	32 mm	43 mm
Electric hob	32 mm	35 mm