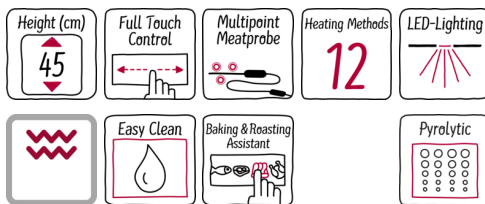


N 90, Built-in compact oven with added steam and microwave function, Stainless steel
C28QT27N0



Built-in microwave with VarioSteam and MultiPoint meat probe for fast cooking with full flavour.

- ✓ Microwave with VarioSteam® - steam makes foods come out juicy on the inside and crispy on the outside.
- ✓ FullTouch Control - simple, precise oven control by fingertip touch on the smooth surface of the high resolution TFT colour display.
- ✓ The duo for perfect cleaning: Pyrolysis after heavy use - the oven interior cleans itself.
- ✓ EasyClean - the environment-saving option for fast oven cleaning.
- ✓ Modern LED lighting for bright, even illumination.
- ✓ The Multi Point® roast thermometer helps the oven regulate the temperature and automatically adjust the cooking time.
- ✓ Single CLOU® - telescope full pull-out for 1 level.
- ✓ Hinged door with cushioned opening and closing.



Features

Technical Data

Type of micro-wave oven : MW-Combi
 Type of control : Electronic
 Color / Material Front : Stainless steel
 Dimensions of the product (mm) : 455 x 596 x 548
 Cavity dimensions (mm) : 237.0 x 480 x 392.0
 Length electrical supply cord (cm) : 150
 Net weight (kg) : 41.507
 Gross weight (kg) : 44.0
 EAN code : 4242004185079
 Maximum micro-wave power (W) : 900
 Connection Rating (W) : 3600
 Current (A) : 16
 Voltage (V) : 220-240
 Frequency (Hz) : 50; 60
 Plug type : Gardy plug w/ earthing

Optional accessories

Z11SZ60X0 SeamlessCombination 45 + 14cm
 Z11SZ90X0 SeamlessCombination 60 + 45cm
 Z12CB10A0 Baking tray, anthracite enamelled
 Z12CM10A0 Moussaka pan, anthracite enamelled
 Z14CR10X0 Baking and roasting grid (microwave)
 Z19DD10X0 Steam set for ovens



4 242004 185079

*N 90, Built-in compact oven with added steam and
microwave function , Stainless steel
C28QT27N0*

Features

Heating Functions

- Compact oven with microwave with 12 heating methods:
 - 4D hot air
 - CircoTherm® Eco
 - Top/Bottom heating
 - Top/bottom heating Eco
 - Full surface grill
 - Small area grill
 - Pizza setting
 - Bottom heating
 - Slow cooking
 - Plate warming
 - Keep warm
- Additional heating methods with steam: Reheating, Dough Proving
- Additional heating methods with microwave: Microwave, Combi microwave variable
- Temperature range 30 °C - 300 °C
- Max. Power: 900 W; 5 Microwave power settings (90 W,180 W,360 W,600 W,900 W) with Inverter (MW)
- Cavity volume: 45 l

Design

- Touch control
- Anthracite enamel cavity with 3 shelf positions

Cleaning

- Pyrolytic self cleaning
- Pyrolytic proof trayholder and baking tray
- EasyClean Cleaning aid program
- Microwave top door

Convenience

- 5.7" TFT colour and graphics Display with FullTouch control
- Temperature proposal
 - Actual temperature display
 - Optical temperature control
 - Automatic Programming
 - Sabbath setting
- Additional functions:
 - Descaling programme
 - Steam cooking function (system steamer accessory required)
 - Drying function
- Drop down door, SoftMove oven door with soft open and soft close, SoftOpen
- Supporting systems: Bake and Roast assist, Automatic Programs
- Number of automatic programmes: 32 PC
- multipoint temperature probe
- electronic clock
- Rapid heating-up
- LED light
- Large 1 litre water tank
- Yes
- Outside cavity
- Yes
- Stainless-steel fan
- Info button
- Bar handle

Hook-in racks / rails

- Pull out system: 1-level, standard extension

Accessories

- 1 x enamel baking tray, 1 x combination grid, 1 x universal pan

Safety and Environment

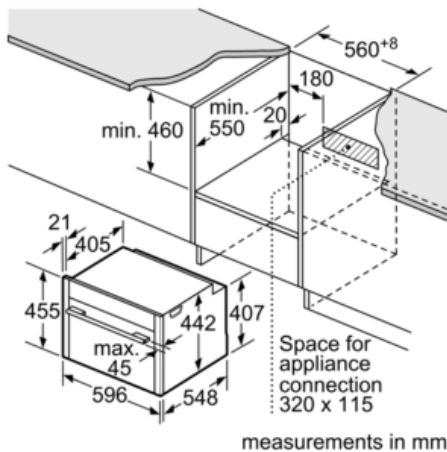
- childproof lock
 - Residual heat indicator
 - Safety switch-off func oven

Technical Information

- Length of mains cable: 150 cm
- Total connected load electric: 3.6 KW
- Appliance dimension (hxwxh): 455 mm x 596 mm x 548 mm
- Installation dimensions (HxWxD): 450 mm - 455 mm x 560 mm - 568 mm x 550 mm
- Please reference the built-in dimensions provided in the installation drawing

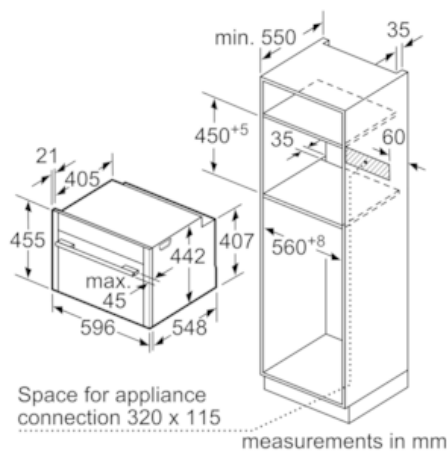
N 90, Built-in compact oven with added steam and microwave function, Stainless steel
C28QT27N0

Dimensioned drawings



If the compact appliance will be installed underneath a hob, the following worktop thicknesses (including substructure if necessary) must be taken into account.

Hob type	min. worktop thickness	
	fitted	flush
Induction hob	42 mm	43 mm
Full surface Induction hob	52 mm	53 mm
Gas hob	32 mm	43 mm
Electric hob	32 mm	35 mm



Installation with a hob.

