

N 90, Canopy cooker hood, 70 cm, clear glass black printed
D57ML67NOB



A



Features

Technical Data

Typology : Traditional
 Approval certificates : Australia Standards, CE, VDE
 Length electrical supply cord (cm) : 150
 Required niche size for installation (HxWxD) : 418mm x 676mm x 264mm
 Minimum distance above an electric hob : 500
 Minimum distance above a gas hob : 650
 Net weight (kg) : 10.170
 Type of control : Electronic
 Maximum output air extraction (m³/h) : 575
 Boost position output recirculating (m³/h) : 370
 Maximum output recirculating air (m³/h) : 320
 Boost position air extraction (m³/h) : 775
 Number of lights : 2
 Noise level (dB) : 65
 Diameter of air outlet (mm) : 150 / 120
 Grease filter material : Washable aluminium
 EAN code : 4242004187783
 Connection Rating (W) : 272
 Current (A) : 3
 Voltage (V) : 220-240
 Frequency (Hz) : 50
 Plug type : GB plug
 Installation typology : Built-in



Optional accessories

Z5135X1 Active carbon filter
 Z5135X3 Recirculating kit

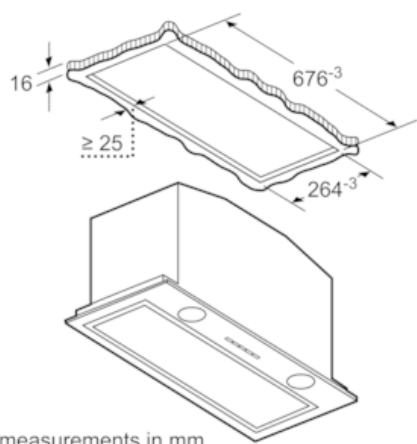
*N 90, Canopy cooker hood, 70 cm, clear glass black
printed
D57ML67NOB*

Features

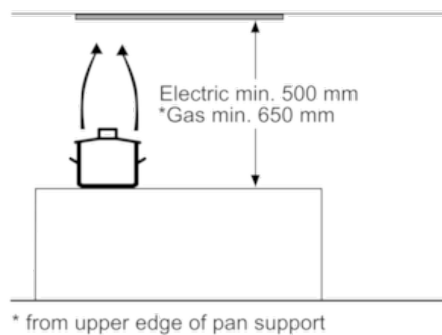
- Appliance colour: stainless steel
- Suitable for ducted or re-circulated extraction
- Electronic saturation display for metal grease and active carbon filter
- Electronic controls
- Push button controls (3 power settings plus intensive setting) with Electronic display
- Extraction rate according to EN 61591 ø 15 cm:
max. Normal use 570 m³/h
Intensive 770 m³/h
- Automatic 10 minute run-on function
- Noise min./max. Normal Level: 42/65 dB*
- Saturation indicator for metal & carbon filters
- Rim ventilation
- Filter cover glass
- Metal grease filters Metal grease filter
- Light dimmer function
- 42 dB at 220 m³/h (150 mm ducted)
- 120 or 150mm tube connected diameter
- 272 W total connected load
- Electrical cable length 1.5 m
- Mounting dimensions: width: 68 cm, depth: 26 cm

N 90, Canopy cooker hood, 70 cm, clear glass black printed
 D57ML67NOB

Dimensioned drawings

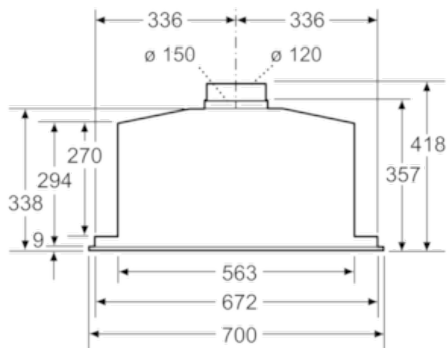


measurements in mm

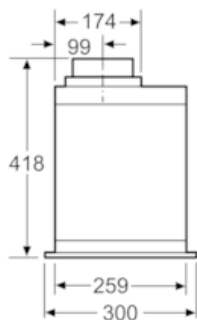


* from upper edge of pan support

measurements in mm



measurements in mm



measurements in mm