

N 90, INTEGRATED RANGEHOOD, 70 CM, CLEAR
GLASS BLACK PRINTED
D57ML67N1B



Your undermount rangehood fits discreetly into your cabinet for more spacious versatility in the home

- ✓ Efficient Drive Motor – Quiet and energy-efficient motor for a calmer kitchen.
- ✓ Intensive Speed Setting: Increases the extraction rate when cooking steam is intense.
- ✓ Dimmer Function: Easily dim the light according to your mood with the touch of a finger.
- ✓ Interval Ventilation: Automatically ventilates every hour for crisp, clean air.

Z5100X0	Remote control
Z5135X1	Standard odor filter (replacement)
Z5135X3	Standard recirculation kit
Z51ITD1X1	Long Life recirculation kit external
Z51ITP0X0	Long Life odor filter (replacement)
Z51XB1X6	Clean Air Plus odor filter (replacement)
Z51XC1X6	Clean Air Plus recirc. kit external

Typology: Built-in/Built-under
 Length electrical supply cord: 150.0 cm
 Required niche size for installation (HxWxD): 418mm x 676.0mm x 264mm mm
 Minimum distance above an electric hob: 600 mm
 Minimum distance above a gas hob: 650 mm
 Net weight: 9.1 kg
 Type of control: Electronic
 Number of speed settings: 3-stages + intensive setting
 Maximum output air extraction: 575 m³/h
 Boost position output recirculating: 722 m³/h
 Maximum output recirculating air: 533 m³/h
 Boost position air extraction: 775 m³/h
 Number of lights: 2
 Noise level: 64 dB(A) re 1pW
 Diameter of air outlet: 120 / 150 mm
 Grease filter material: Washable aluminium
 EAN code: 4242004237938
 Connection Rating: 172 W
 Fuse protection: 3 A
 Voltage: 220-240 V
 Frequency: 50 Hz
 Plug type: GB plug
 Installation typology: Built-in



N 90, INTEGRATED RANGEHOOD, 70 CM, CLEAR
GLASS BLACK PRINTED
D57ML67N1B

Design

- For installation in a kitchen cabinet
- Appliance colour: stainless steel
- Suitable for ducted or re-circulated extraction
- Accessories required for recirculated extraction: Recirculating kit
- Rim ventilation
- Metal grease filters with black glass cover

Convenience

- Push button controls (3 power settings plus intensive setting) with LED display
- 2 x 1 Watt LED lights
- Saturation indicator for grease filters
- Dishwasher safe metal grease filters

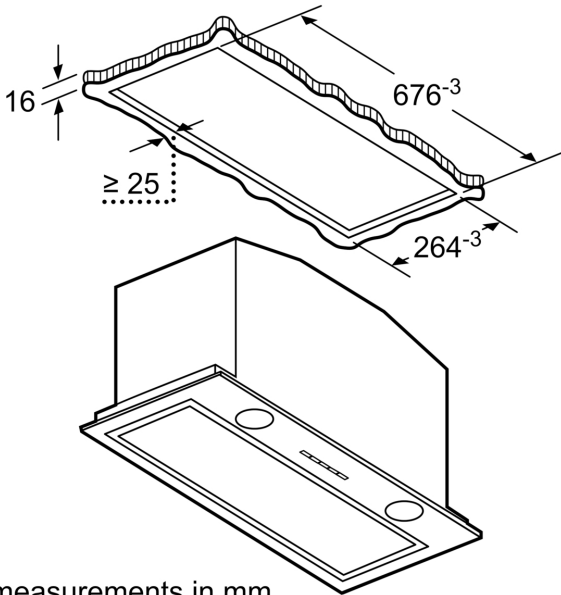
Performance

- 3 power settings plus intensive setting
- Automatic intensive revert setting - 6 min.
- Automatic run on for 30 min.
- EfficientDrive - Efficient BLDC-technology

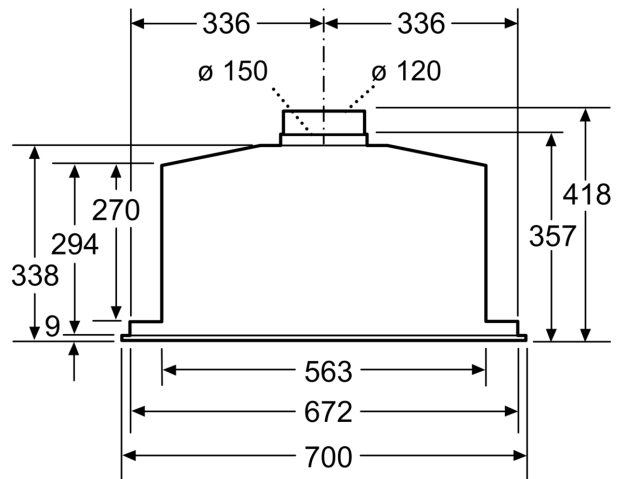
Technical information

- Mounting dimensions: width: 68 cm, depth: 26 cm
- Dimensions exhaust air (HxWxD): 418-418 x 700 x 300 mm
- Dimensions recirculating (HxWxD): 418-418 x 700 x 300 mm
- 120 or 150mm tube connected diameter
- 172 W total connected load
- Electrical cable length 1.5 m
- Light Intensity: 244 lux
- Colour Temperature: 4000 K
- Extraction rate according to EN 61591:
 - Min: 210 m³/h
 - Intensive: 775 m³/h
- Noise level according to EN 60704-2-13 min/max (intensive) with exhaust air: 46/70 dB(A)

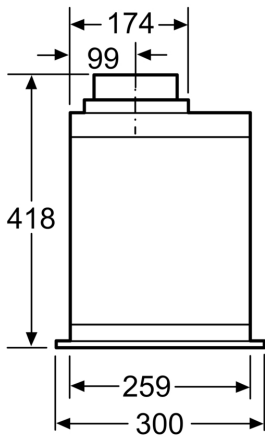
N 90, INTEGRATED RANGEHOOD, 70 CM, CLEAR
GLASS BLACK PRINTED
D57ML67N1B



measurements in mm

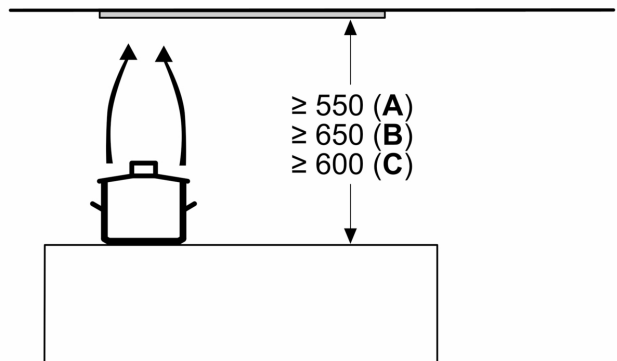


measurements in mm



measurements in mm

Measurements in mm



A: Electric

B: Gas - from upper edge of pan support

C: Electric - for Australia and New Zealand