

N 70, WALL-MOUNTED CANOPY RANGEHOOD, 90 CM, CLEAR GLASS BLACK PRINTED
D95FRM1S0B



The flat design rangehood is not only high-powered but is also magnetic, can be written on and can be used as a bookshelf

- ✓ Efficient Drive Motor – Quiet and energy-efficient motor for a calmer kitchen.
- ✓ Intensive Speed Setting: Increases the extraction rate when cooking steam is intense.
- ✓ LED Lighting: Clear illumination while you cook.

Z50XP0X0	Long Life odor filter (replacement)
Z51AFB1X6	Clean Air Plus odor filter (replacement)
Z51AF11X6	Clean Air Plus recirculation kit
Z51AFR0X0	Long Life recirculation kit (chimless)
Z51AFS0X0	Long Life recirculation kit
Z51AFV1X6	Clean Air Plus recirc. kit (chimless)
Z51AXC1N6	Clean Air Plus recirc. kit external
Z51AXK0N0	Chimney extension 1000 mm
Z51AXL0N0	Chimney extension 1500 mm
Z53XXB1X6	Clean Air Plus odor filter (replacement)
Z91AXE1S1	Chimney standard black

Typology:	Wall-mounted
Length electrical supply cord:	130.0 cm
Height of product, without chimney:	430 mm
Minimum distance above an electric hob:	600 mm
Net weight:	22.7 kg
Type of control:	Electronic
Number of speed settings:	3-stages + intensive setting
Maximum output air extraction:	405 m ³ /h
Boost position output recirculating:	404 m ³ /h
Maximum output recirculating air:	249 m ³ /h
Boost position air extraction:	739 m ³ /h
Number of lights:	2
Noise level:	58 dB(A) re 1 pW
Diameter of air outlet:	120 / 150 mm
Grease filter material:	Washable aluminium
EAN code:	4242004210177
Connection Rating:	143 W
Fuse protection:	10 A
Voltage:	220-240 V
Frequency:	60; 50 Hz
Plug type:	GB plug
Installation typology:	Wall-mounted



N 70, WALL-MOUNTED CANOPY RANGEHOOD, 90
CM, CLEAR GLASS BLACK PRINTED
D95FRM1SOB

Design

- Flat glass design with shelf
- For Wall mounted installation
- Suitable for ducted or re-circulated extraction
- For recirculated extraction a recirculating kit or a CleanAir recirculation kit (accessory) is needed
- Rim ventilation
- Metal grease filters with black glass cover

Convenience

- Electronic controls
- TouchControl
- 2 x 3W LED Lights
- Dishwasher safe metal grease filters

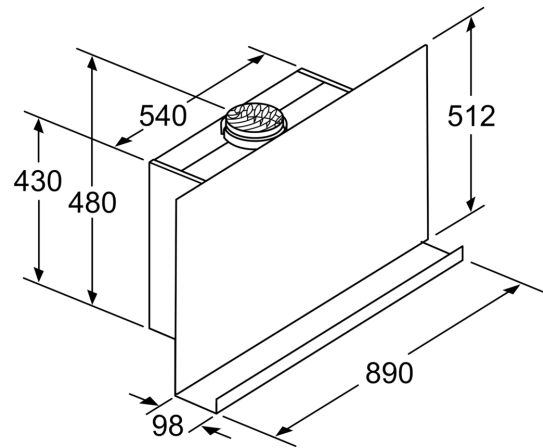
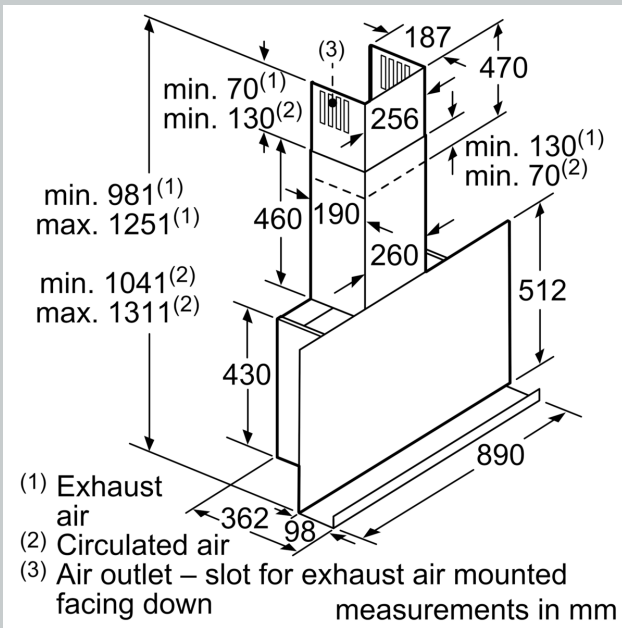
Performance

- 3 power levels + intensive
- 2 capture areas: front side and bottom side
- Automatic intensive revert setting - 6 min.
- EfficientDrive brushless motor

Technical Information

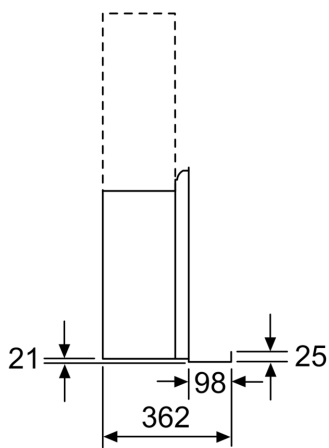
- Dimensions exhaust air (HxWxD): 981-1251 x 890 x 362 mm
- Dimensions recirculating, chimney (HxWxD): 1041-1311 x 890 x 362mm
- Diameter pipe Ø 150 mm (Ø 120 mm enclosed)
- 143 W total connected load
- Electrical cable length 1.3 m
- Light Intensity: 225 lux
- Colour Temperature: 3500 K
- Extraction rate according to EN 61591:
- Min:231.3m³/h
- Intensive:739 m³/h
- Noise level according to EN 60704-2-13 min/max (intensive) with exhaust air: 44/71 dB(A)

N 70, WALL-MOUNTED CANOPY RANGEHOOD, 90
CM, CLEAR GLASS BLACK PRINTED
D95FRM1S0B

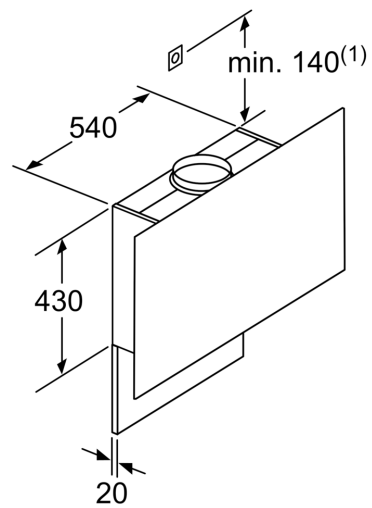


Appliance in circulated air mode
without duct
Circulated air set required

measurements in mm



measurements in mm



(1) Position of socket

Note the maximum thickness of the back panel.

measurements in mm

