

N 90, WARMING DRAWER, 60 X 14 CM, STAINLESS
STEEL
N17HH10NOB



Z11SZ60X0 SeamlessCombination 45 + 14cm

A warming drawer that fits like a glove - 14 cm installation height snuggle smoothly into the 60 cm oven niche

- ✓ Push & Pull – One gentle touch opens and closes your drawer.
- ✓ Installation with compact appliance – combine your drawer with any 45 cm or 60 cm appliance

Color / Material Front:Stainless steel
 Built-in / Free-standing: Built-in
 Dimensions: 140x596x548 mm
 Dimensions of the packed product (HxWxD): . 210 x 660 x 660 mm
 Required niche size for installation (HxWxD): . 140 x 560 x 550 mm
 Maximum number of espresso cups: 64
 Net weight: 15.2 kg
 Gross weight: 17.5 kg
 EAN code:4242004184584
 Fuse protection:10 A
 Voltage:220-240 V
 Frequency:60; 50 Hz



N 90, WARMING DRAWER, 60 X 14 CM, STAINLESS
STEEL
N17HH10NOB

Design

- Heating plate made of toughened glass
- Suitable for:
 - - Dough proving - Defrosting - Keeping drinks and food warm - Pre-warming of crockery - Slow cooking
- Temperature control with 4 levels: 40 °C - 80 °C (glass surface temperature)

Convenience

- Rotary knob
- Cavity volume: 20 l
- Max weight up to 25 kg
- Max. loading espresso cups: 64 PC or Max. loading plates: 12 PC
- Push & Pull opening mechanism

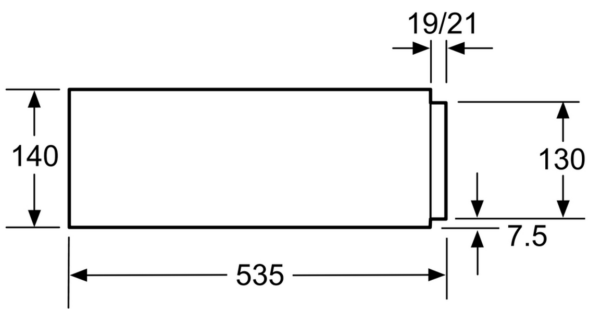
Technical Information

- Length of mains cable: 150 cm
- Total connected load electric: 0.81 KW
- Nominal voltage: 220 - 240 V

Dimensions:

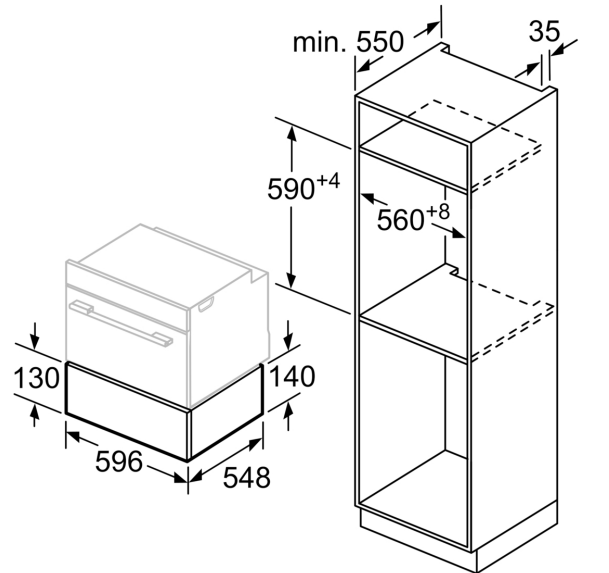
- Appliance dimension (HxWxD): 140 mm x 596 mm x 548 mm
- Installation dimensions (HxWxD): 140 mm x 560 mm - 568 mm x 550 mm
- Please reference the built-in dimensions provided in the installation drawing

N 90, WARMING DRAWER, 60 X 14 CM, STAINLESS
 STEEL
 N17HH10NOB



Compact ovens with an appliance height of 455 mm can be installed above a warming drawer. An intermediate floor is not required.

measurements in mm



measurements in mm