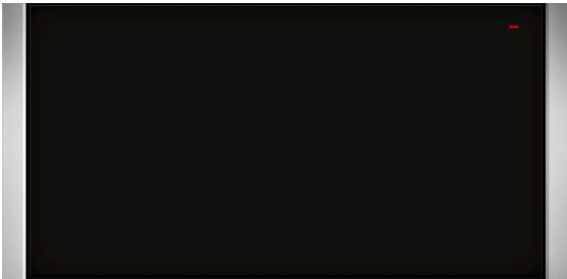


Warming drawer, 29 cm  
N17HH20N0A



COOKING PASSION SINCE 1877



Warming drawer with 29 cm installation height - perfect for a coordinated kitchen look

✓ Push&Pull Function

#### Features

##### Technical Data

Built-in / Free-standing : Built-in

Color / Material Front : Stainless steel

Maximum number of plates : 40

Maximum number of espresso cups : 192

Dimensions of the product (mm) : 290 x 596 x 548

Dimensions of the packed product (HxWxD) (mm) : 350 x 650 x 660

Required niche size for installation (HxWxD) : 290 x 560 x 550

EAN code : 4242004184638

Electrical connection rating (W) : 810

Current (A) : 10

Voltage (V) : 220-240

Frequency (Hz) : 60; 50

Plug type : AU plug



4 242004 184638

# Warming drawer, 29 cm

## N17HH20N0A

### Features

#### Heating Functions

- Heating plate made of toughened glass
- Temperature control with 4 levels: 40 °C - 80 °C (glass surface temperature)
- Suitable for:
  - Pre-warming of crockery
  - Keeping drinks and food warm
  - Dough proving
  - Defrosting
  - Slow cooking

#### Convenience

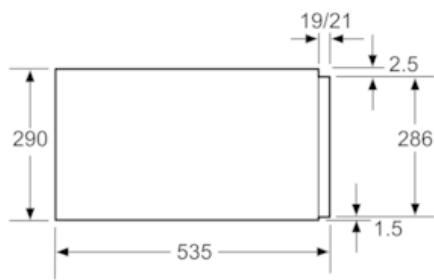
- Cavity volume: 52 net usable litres
- Max weight up to 25 kg
- Max. loading espresso cups: 192 PC or Max. loading plates: 40 PC
- Telescopic pull-out drawer
- 290 mm height
- Push&Pull opening mechanism

#### Technical Info

- Length of mains cable: 150 cm
- Connected load: 0.81 kW
- Appliance dimension (hxwx): 290 mm x 596 mm x 548 mm
- Installation dimensions (HxWxD): 290 mm x 560 mm - 568 mm x 550 mm

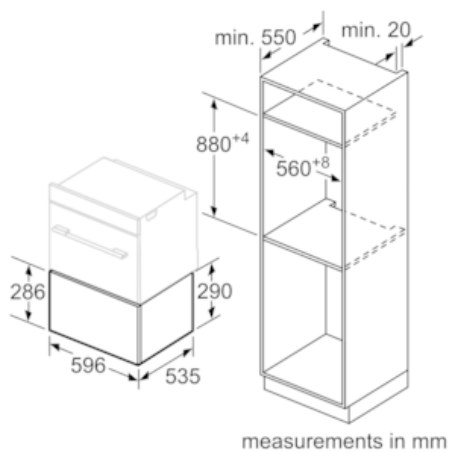
Warming drawer, 29 cm  
N17HH20N0A

Dimensioned drawings



Ovens with an appliance height of 595 mm can be installed above a warming drawer. An intermediate floor is not required.

measurements in mm



measurements in mm