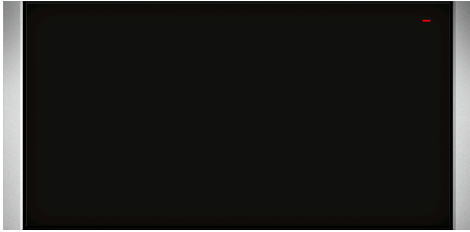


WARMING DRAWER, 60 X 29 CM, STAINLESS  
STEEL  
N17HH20NOB



Z11SZ80X0 SeamlessCombination 60 + 29cm

Warming drawer with 29 cm installation height - perfect for a coordinated kitchen look

√ Push & Pull – One gentle touch opens and closes your drawer.

Color / Material Front: .....Stainless steel  
 Built-in / Free-standing: ..... Built-in  
 Dimensions: ..... 290 x 596 x 548 mm  
 Dimensions of the packed product (HxWxD): . 350 x 650 x 650 mm  
 Min. required niche size for installation (HxWxD): .290 x 560 x 550 mm  
 Maximum number of plates: .....40  
 Maximum number of espresso cups: ..... 192  
 Net weight: ..... 18.9 kg  
 Gross weight: ..... 21.2 kg  
 EAN code: .....4242004184645  
 Fuse protection: ..... 10 A  
 Voltage: ..... 220-240 V  
 Frequency: ..... 60; 50 Hz



WARMING DRAWER, 60 X 29 CM, STAINLESS  
STEEL  
N17HH20NOB

**Design**

- Heating plate made of toughened glass
- Temperature control with 4 levels: 40 °C - 80 °C (glass surface temperature)
- Suitable for:
  - - Dough proving - Defrosting - Keeping drinks and food warm - Pre-warming of crockery - Slow cooking

**Convenience**

- Cavity volume: 52 l
- Max weight up to 25 kg
- Max. loading espresso cups: 192 PC or Max. loading plates: 40 PC
- Rotary Control Knobs
- Push & Pull opening mechanism

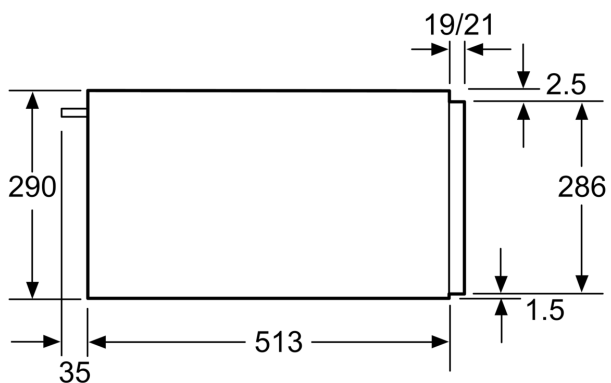
**Technical Information**

- Length of mains cable: 150 cm
- Total connected load electric: 0.81 KW
- Nominal voltage: 220 - 240 V

**Dimensions:**

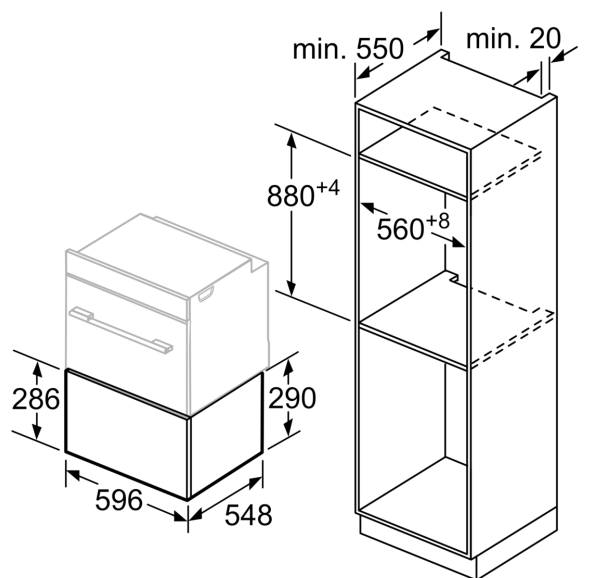
- Appliance dimension (HxWxD): 290 mm x 596 mm x 548 mm
- Installation dimensions (HxWxD): 290 mm x 560 mm - 568 mm x 550 mm
- Please reference the built-in dimensions provided in the installation drawing

WARMING DRAWER, 60 X 29 CM, STAINLESS  
 STEEL  
 N17HH20NOB



Ovens with an appliance height of 595 mm can be installed above a warming drawer. An intermediate floor is not required.

measurements in mm



measurements in mm