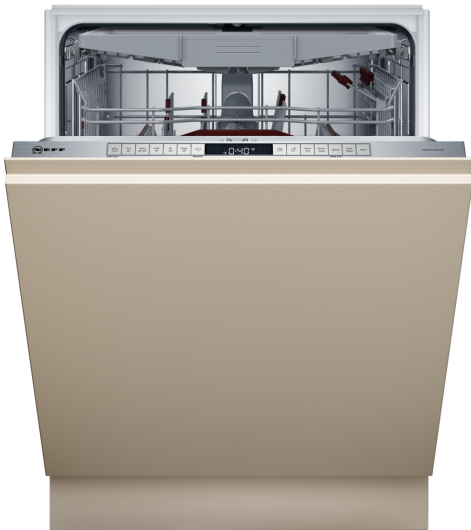


N 50, FULLY-INTEGRATED DISHWASHER, 60 CM
S185HCX01A



The dishwasher with cutlery drawer, flexible loading options, WiFi connectivity, and offers the comfort of door opening with a light push.

- ✓ Flex 2 Baskets – Flexible baskets, three-stage Rack Matic and Flex Cutlery Drawer offer easy loading
- ✓ Door Open Assist – Just push the door gently to open.
- ✓ Chef 70°C – The program for getting stubborn residues off pots and casserole dishes.
- ✓ Favourite – Easily access your favourite settings or programmes.
- ✓ Aqua Stop: Neff's warranty in case of water damage – throughout the lifetime of the appliance.

Maximum number of place settings (EU 2017/1369): 15
 The water consumption of the eco programme in liters per cycle (EU 2017/1369): 11.0 l
 Built-in / Free-standing: Built-in
 Height of removable worktop: 0 mm
 Dimensions of the product (HxWxD): 815 x 598 x 550 mm
 Required niche size for installation (HxWxD): 815-875 x 600 x 550 mm
 Depth with open door 90 degree: 1150 mm
 Adjustable feet: Yes - all from front
 Maximum adjustability feet: 60 mm
 Adjustable plinth: Both horizontal and vertical
 Net weight: 36.4 kg
 Gross weight: 38.5 kg
 Connection Rating: 2400 W
 Fuse protection: 10 A
 Voltage: 220-240 V
 Frequency: 50; 60 Hz
 Length electrical supply cord: 175.0 cm
 Plug type: AU plug
 Length inlet hose: 165 cm
 Length outlet hose: 190 cm
 EAN code: 4242004257486
 Installation typology: Fully Integrated



Z7710X0	inlet and outlet hose extention
Z780BI01	decorative strips stainless steel 81,5cm
Z7860X3	Stainless steel protection set 81,5 cm
Z7863X1	Rack insert for stemware dishwasher
Z7865X6	Attachment door, brushed steel
Z7870X0	Accessories dishwasher
Z7871X0	Silver polishing cassette
Z7880X0	Accessories dishwashers
Z788BI00	Connection rail for divided furniture

N 50, FULLY-INTEGRATED DISHWASHER, 60 CM S185HCX01A

Design

- NEFF Info Light, a red dot of light is projected onto the floor so you can see instantly when the dishwasher is running
- Stainless steel inner tub
- Hidden control buttons integrated into the top of the door
- DoorOpen Assist - a push to open door system, perfect for handleless kitchens
- Remaining time display

Programs and functions

- 6 programs:
- Eco 45°
- Auto
- Chef
- 1h
- Glass
- Favourite (Pre-Rinse is set as default)
- 5 special options: Remote Start Extra Dry: For better drying results on plastics and harder to dry items., Power Zone: Transform the bottom basket into a powerful cleaning zone with higher water pressure., Speed: Reduce the wash time, up to 50% faster, with no impact on wash performance., Easy Clean: designed to maintain your dishwasher performance over the life of the machine, removing grime and limescale buildup
- Easy Clean: designed to maintain your dishwasher performance over the life of the machine, removing grime and limescale buildup

Features

- Capacity for up to 15 place settings
- Quiet operation: 44 dB(A)
- FlexDrawer 2 Cutlery Drawer
- Flex 2 basket system with red coloured touchpoints, easy to identify flexing & moving parts
- RackMatic height-adjustable top basket, can be positioned at an angle for washing large plates in the bottom basket and tall stem wine glasses in the top basket
- Ball bearing wheels in the top basket for easy and smooth basket gliding, even when fully loaded
- Low friction wheels in the bottom basket for smooth gliding
- Top basket includes anti-slip protection strips to prevent glassware and items from sliding around
- Rack Stopper to prevent derailing of bottom basket
- 6 foldable plate racks in top basket
- 6 foldable plate racks in bottom basket
- 2 foldable cup shelves in top basket
- 2 foldable cup shelves in bottom basket
- Glass rack in bottom basket for tall stemmed glassware
- Variable position cutlery basket for the bottom basket
- Efficient Silent Drive long life brushless motors (BLDC wash pump, BLDC drain pump)
- Time delay start: Delay program start time by 1-24 hours to suit your schedule
- Aqua Sensor technology: Regulates the water usage depending on the type and degree of soiling.

- Home Connect WiFi connectivity

Technical information

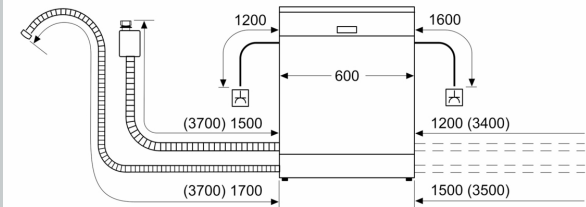
- 4 StarEnergy rating
- 5.5 Star Water rating
- Water consumption: 11 litres per wash with Cold water connection using the Eco 45° in accordance with AS/NZS 6400. AU WELS Registration Number: D02547. Energy consumption: 245 kWh per year, with Cold water connection using the Eco 45° program seven times per week. When tested in accordance with AS/NZS 2007.2. Actual energy use and running costs will depend on how you use the appliance.
- Appliance dimensions (HxWxD): 81.5 - 87.5 cm x 59.8 cm x 55 cm
- Gross Weight: 38.5 kg

Additional information

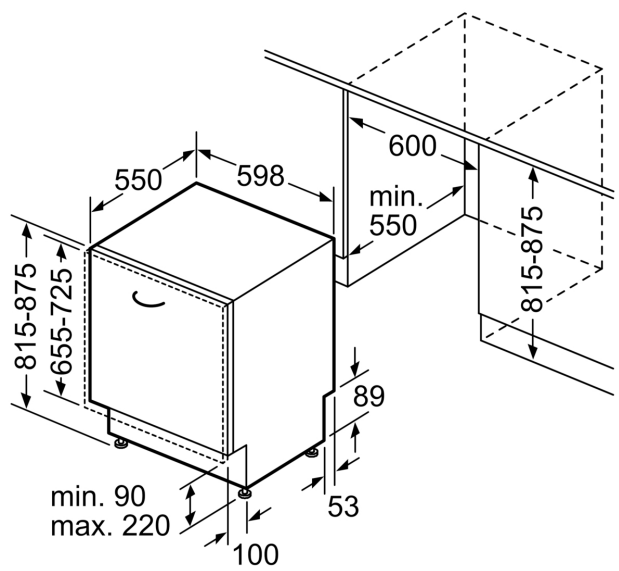
- Neff Aqua Stop water supply device with anti-flood protection
- Dosage Assist detergent dispenser
- Heat exchanger, to assist with drying dishes.
- 5 spray levels for maximum water contact and optimum wash results
- 3 stage filter system, including an innovative micro filter with a corrugated design that conveniently helps to reduce the need to wash the filter and also helps to prevent blockages.
- Automatic detergent and rinse aid detection system
- Large item spray head included for washing extra large items such as
- baking trays and rangehood filters incl. Steam Protection for worktop
- Audible program end indicator tone (can be turned on/off)
- Child-proof door lock (double push to open)

N 50, FULLY-INTEGRATED DISHWASHER, 60 CM
S185HCX01A

measurements in mm



⚡ socket
() values with extension kit



measurements in mm