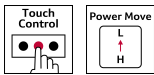
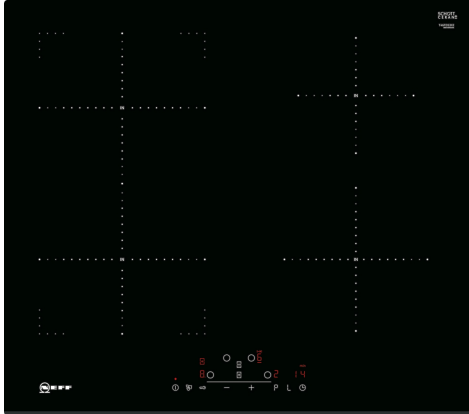


N 70, INDUCTION HOB, 60 CM, BLACK,
T46FD53X2



Induction cooktop with TouchControl

- ✓ Touch Control – Control your hob with a simple touch.
- ✓ Combi Induction – Combine two cooking zones to heat large cookware.
- ✓ Power Move - Change temperature with a simple slide of your cookware.
- ✓ Power Boost – An extra surge of heat when you need fast results.
- ✓ Induction - Heat generated directly in cookware means precise cooking that stops instantly when off.

Z9404SE0	4 pieces Set
Z9406SE0	6 pieces Set
Z943SE0	Set of 2 pots and 1 pan
Z9410ES0	Espresso maker 4 cups
Z9428FE0	Iron pan Ø 18 / 28 cm

Product name/family: Cooking zone ceramic
 Built-in / Free-standing: Built-in
 Energy input: Electric
 Total number of positions that can be used at the same time: 4
 Required niche size for installation (HxWxD): 51 x 560-560 x 490-500 mm
 Width of the appliance: 592 mm
 Dimensions: 51x592x522 mm
 Dimensions of the packed product (HxWxD): . 126 x 753 x 608 mm
 Net weight: 11.1 kg
 Gross weight: 12.8 kg
 Residual heat indicator: Separate
 Location of control panel: Front
 Basic surface material: Ceramic
 Color of surface: Black
 Length electrical supply cord: 110.0 cm
 EAN code:4242004232773
 Voltage: 220-240 V
 Frequency: 50; 60 Hz



N 70, INDUCTION HOB, 60 CM, BLACK, T46FD53X2

Design

- 60 cm: space for 4 pots or pans.
- Bevelled front edge

Flexibility of cooking zones

- Combi zone: 2 individual cooking zones can be combined into one large single cooking area
- : use bigger cookware by connecting two classic cooking zones into one large zone.
- Cooking zone front left: 190 mm, 210 mm, 2.2 KW (max. power 3.7 KW)
- Cooking zone rear left: 190 mm, 210 mm, 2.2 KW (max. power 3.7 KW)
- Cooking zone rear right: 145 mm , 1.4 KW (max power 2.2 KW)
- Cooking zone front right: 180 mm, 1.8 KW (max. power 3.1 KW)

Comfort & Convenience

- TouchControl MultiTouch: control the power with imprinted +/- touch buttons.
- 17 power levels for each cooking zone: precisely adapt the heat with 17 power levels (9 main levels and 8 intermediate levels).
- Keep warm function for all cooking zones: keep dishes warm at preset low power level.
- LED display and timer with auto switch off for all cooking zones: switches off the cooking zone at the end of the time set (e.g. for boiled eggs).
- Count-down timer
- : an alarm sounds at the end of the time set (e.g. for pasta).

Time saving & Efficiency

- Power Boost function for all cooking zones: boil water faster with up to 50% more power than at the highest standard level.
- Move function: links two cooking zones together and selects a different heat setting for each one; high and low. : increase or decrease the power level simply by moving the pot forwards or backwards.
- QuickStart: Quick and automatic first pot detection: when switching on, the cooktop automatically selects the cooking zone with cookware on it.
- ReStart function: Quickly reinstates previous settings: in case of unintentional switch-off, restore all previous settings by switching on the cooktop again within 4 seconds.

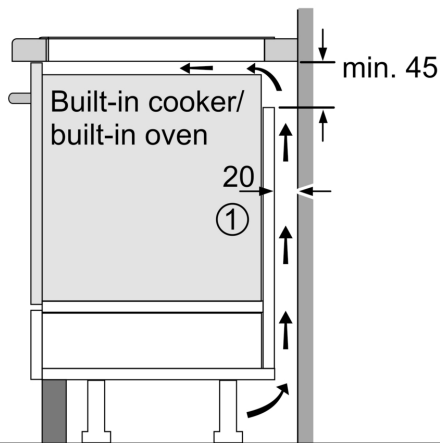
Safety

- Residual heat indicator (digital 2 stage: H/h): indicates which cooking zones are still hot or warm.
- Childproof lock: prevent unintended activation of the cooktop.
- WipeProtection, Childproof lock, power management function, Automatic pan recognition sensor, Automatic Safety switch-off: wipe overboiled liquids without unintentionally changing settings (blocking all touch buttons for 30 seconds).
- Main switch: switch off all cooking zones at the touch of a button.
- Automatic Safety switch-off: for safety reasons, heating stops after a preset time without interaction.
- Energy consumption: shows the electricity consumption of the last cooking process.

Installation

- Dimensions of the product (HxWxD mm): 51 x 592 x 522
- Required niche size for installation (HxWxD mm) : 51 x 560 x (490 - 500)
- Min. worktop thickness: 16 mm
- Connected load: 6.9 KW
- power management function: limit the maximum power if needed (depends on fuse protection of electric installation).
- Power cord: 1.1 m, loose insert in packaging

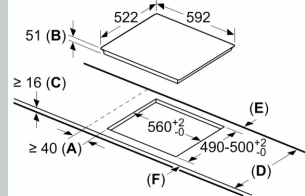
N 70, INDUCTION HOB, 60 CM, BLACK,
T46FD53X2



① Ventilation gap must be present

All measurements in mm

measurements in mm



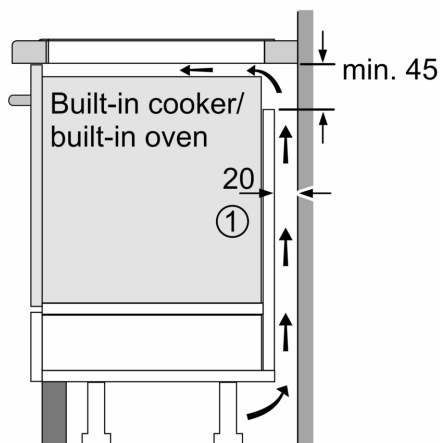
A: Minimum distance from the hob cut-out to the wall.

B: Recessed depth

C: The clearance between the surface of the worktop and the top of the front of the oven must be 30 mm. See space requirements for the oven.

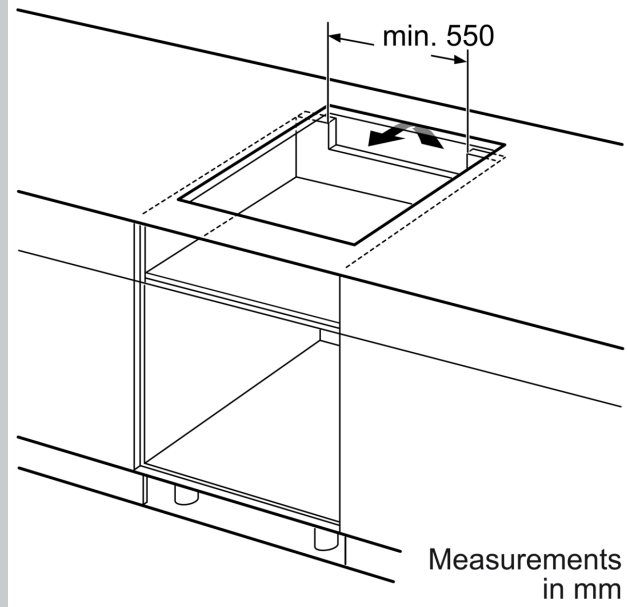
The worktop into which the hob is installed must withstand loads of approx. 60 kg; suitable substructures must be used if required.

D	E	F
585-600	50	≥ 35
> 600	≥ 50	≥ 50



① Ventilation gap must be present

All measurements in mm



Measurements in mm

