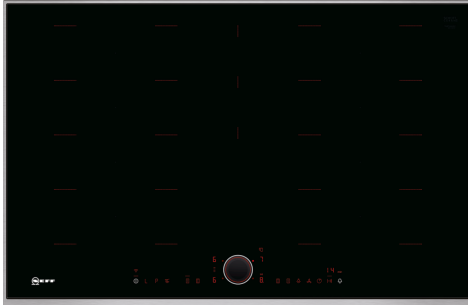


N 90, FLEX INDUCTION COOKTOP, 80 CM, BLACK,
T68TL6UN2



Z9401FF0 Flex Pan, large, Z9401TY0 Teppan Yaki, Z9403FF0 Flex Pan set, 3 pcs., Z9404FF0 Flex Pan set, 4 pcs., Z9404SE0 4 pieces Set, Z9406SE0 6 pieces Set, Z9410ES0 Espresso maker 4 cups, Z9410X1 Stainless Steel roaster with glass lid, Z9415X1 Steaming Rack for Stainless Steel roaster, Z9416X2 Griddle Plate, Z9417X2 Teppan Yaki (large), Z9428FE0 Iron pan Ø 18 / 28 cm, Z943SE0 Set of 2 pots and 1 pan, Z9451X0 System pan diameter 15 cm, Z9453X0 System pan diameter 21 cm, Z9455X0 System pan diameter 28 cm, Z9914X0 Connecting strip

Neff 80 cm FlexInduction cooktop with TwistPad Fire control and 4 induction zones.

- ✓ TwistPadFire – Our removable, magnetic, illuminated control dial that gives you precise control over all cooking zones.
- ✓ Power Move – Just slide your cookware to adjust the temperature.
- ✓ Power Boost – An extra surge of heat when you need fast results.
- ✓ Induction - Heat generated directly in cookware means precise cooking that stops instantly when off.

Product name/family: Cooking zone ceramic
 Built-in / Free-standing: Built-in
 Energy input: Electric
 Total number of positions that can be used at the same time: 4
 Min. required niche size for installation (HxWxD): .. 51 x 750-780 x 490-500 mm
 Width of the appliance: 826 mm
 Dimensions: 51x826x546 mm
 Dimensions of the packed product (HxWxD): . 120 x 950 x 600 mm
 Net weight: 16.4 kg
 Gross weight: 20.1 kg
 Residual heat indicator: Separate
 Location of control panel: Front
 Basic surface material: Ceramic
 Color of surface: Black, Stainless steel
 Color of frame: Stainless steel
 Length electrical supply cord: 110.0 cm
 EAN code: 4242004239123
 Voltage: 220-240 V
 Frequency: 50; 60 Hz



N 90, FLEX INDUCTION COOKTOP, 80 CM, BLACK, T68TL6UN2

Design

- Black ceramic glass with stainless steel flush-fitted trim
- 80 cm: space for 4 pots or pans.

Flexibility of cooking zones

- Cooking zones will be automatically joined or separated based on the shape and size of the cookware placed.
- 2 x FlexInduction zones (plus extension zone): use cookware within the 40cm long zone or even place cookware horizontally on the extended zone.
- Cooking zone front left: 200 mm, 230 mm, 2.2 KW (max. power 3.7 KW)
- Cooking zone rear left: 200 mm, 230 mm, 2.2 KW (max. power 3.7 KW)
- Cooking zone rear right: 200 mm, 230 mm, 2.2 KW (max power 3.7 KW)
- Cooking zone front right: 200 mm, 230 mm, 2.2 KW (max. power 3.7 KW)

Comfort & Convenience

- ZoneLight - Smart red lighted LEDs illuminate the induction cooking zones from beneath the glass cooktop surface, showing you which zones are active and dynamically change to matching your cooking scenario.
- Neff TwistPadFire magnetic illuminated control dial: directly control the power with the illuminated and removable magnetic control knob.
- 17 power levels for each cooking zone: precisely adapt the heat with 17 power levels (9 main levels and 8 intermediate levels).
- Keep warm function for all cooking zones: keep dishes warm at preset low power level.
- LED display and timer with auto switch off for all cooking zones: switches off the cooking zone at the end of the time set (e.g. for boiled eggs).
- Alarm clock
- : an alarm sounds at the end of the time set (e.g. for pasta).
- Timer / Alarm clock: shows how much time has passed since starting the timer (e.g. for potatoes).

Time saving & Efficiency

- PowerBoost: rapid heating for large pots of water, automatically turns off right on time to prevent overheating
- : boil water more quickly thanks to 50% more energy than at the highest standard level.
- PanBoost function heats up the pan for 30 seconds at an extremely high power. To avoid burning the cooking zone then automatically reduces the power afterwards. Fast, safe and easy to use: heat up pans more quickly than at the highest standard level while protecting the pan coating.
- PowerMove: allows you to divide your FlexInduction cooktop into three different heat zones; high, medium, and keep warm. Slide your pot across the zones to adapt the heat level, allowing you to focus on your seasoning instead of continuously adapting your heat settings: increase or decrease the power level simply by moving the pot forwards or backwards.
- When moving a pot to a different cooking zone, transfer all previous settings to the new zone at the touch of a button.

- QuickStart: Quick and automatic first pot detection: when switching on, the cooktop automatically selects the cooking zone with cookware (placed in off-mode).
- ReStart function: Quickly reinstates previous settings: in case of unintentional switch-off, restore all previous settings by switching on the cooktop again within 4 seconds.

Cooking Assistance

- FryingSensor with 5 temperature levels. It maintains the selected temperature by continuously making automatic heat adaptations to maintain the temperature, making burning almost impossible
- : prevents overcooking with the automatic temperature regulation of the integrated sensor.

Connectivity

- HomeConnect enabled: check if the cooktop is switched off even when not at home, and find recipes or additional functions in the Home Connect app. www.home-connect.co.nz
- Cooktop to Hood: automatically activates the hood when cooking, thanks to the WiFi connection of cooktop and suitable hood.

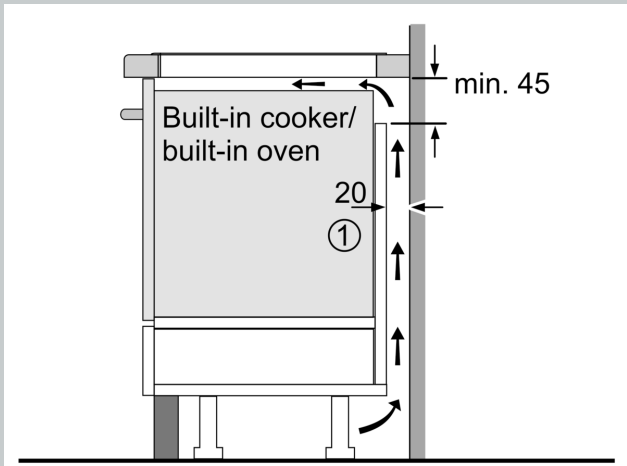
Safety

- Residual heat indicator (digital 2 stage: H/h): indicates which cooking zones are still hot or warm.
- Childproof lock: prevent unintended activation of the cooktop.
- demo mode, WipeProtection, Childproof lock, power management function, quick pot off, Automatic pan recognition sensor, Automatic Safety switch-off: wipe overboiled liquids without unintentionally changing settings (blocking all touch buttons for 30 seconds).
- Automatic Safety switch-off: for safety reasons, heating stops after a preset time without interaction.
- Energy consumption: shows the electricity consumption of the last cooking process.

Installation

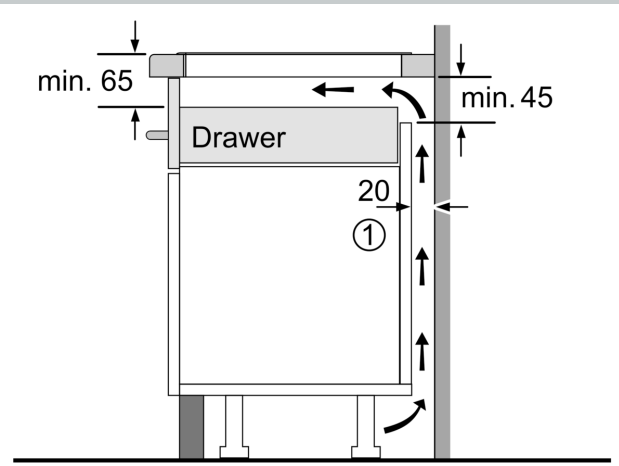
- Dimensions of the product (HxWxD mm): 51 x 826 x 546
- Required niche size for installation (HxWxD mm) : 51 x 750 x (490 - 500)
- Min. worktop thickness: 16 mm
- Connected load: 7.4 KW
- power management function: limit the maximum power if needed (depends on fuse protection of electric installation).
- Power cord: 1.1 m, loose insert in packaging

N 90, FLEX INDUCTION COOKTOP, 80 CM, BLACK,
T68TL6UN2



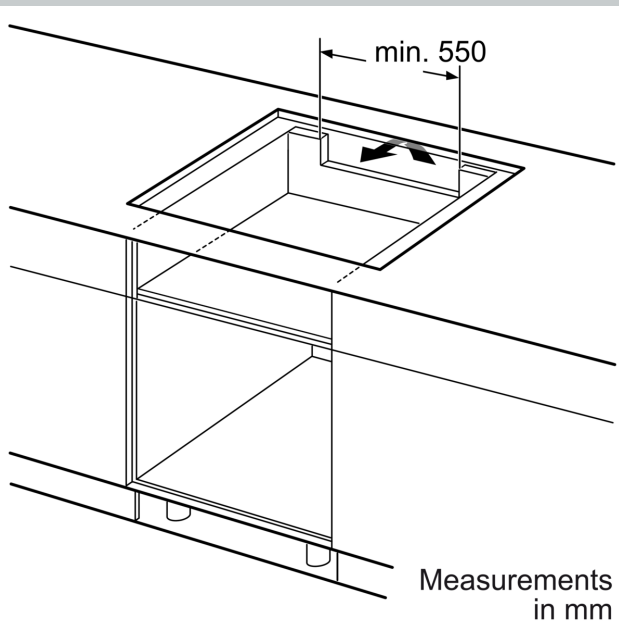
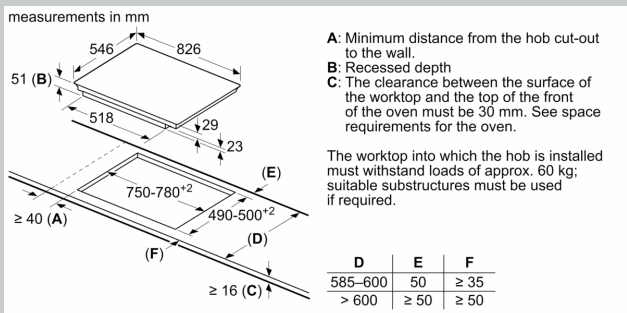
① Ventilation gap must be present

All measurements in mm



① Ventilation gap must be present.

Measurements in mm



Measurements in mm