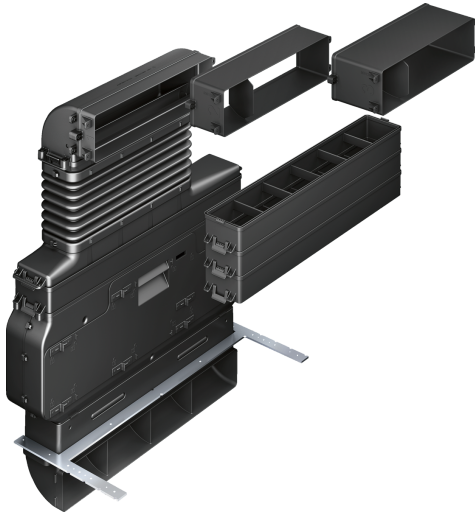


RECIRCULATION KIT
Z8200X1



Dimensions of the packed product (HxWxD): . 425 x 595 x 765 mm
Pallet dimensions: 185.0 x 80.0 x 120.0
Standard number of units per pallet: 8
Net weight: 11.1 kg
Gross weight: 11.1 kg
EAN code: 4242004232629

